

FX0-GPNT00000

Safe EFI-pro System

SAFETY SYSTEMS FOR AGVS AND AMRS

SICK
Sensor Intelligence.



Ordering information

	Fieldbus, industrial network	Type	Part no.
Gateways	PROFINET	FX0-GPNT00000	1044074

Other models and accessories → www.sick.com/Safe_EFI-pro_System



Detailed technical data

Features

Module	Gateway
Fieldbus, industrial network	PROFINET
Configuration method	Via software (Flexi Soft Designer) Safe EFI-pro System: Safety Designer

Interfaces

Fieldbus, industrial network	PROFINET
Integrated Ethernet switch	3-port layer-2 managed switch with Auto-MDI-X for automatic detection of crossed Ethernet cable
Data transmission rate	10 Mbit/s, 10Base-T 100 Mbit/s, 100Base-T autosensing
Connection type	2 x female connector, RJ-45

Electrical data

Protection class	III (EN 61140)
Voltage supply	Via FLEXBUS+
Internal power consumption	≤ 2.4 W ¹⁾

¹⁾ Via FLEXBUS+.

Mechanical data

Dimensions (W x H x D)	22.5 mm x 96.5 mm x 120.6 mm
Weight	125 g (± 10 %)

Ambient data

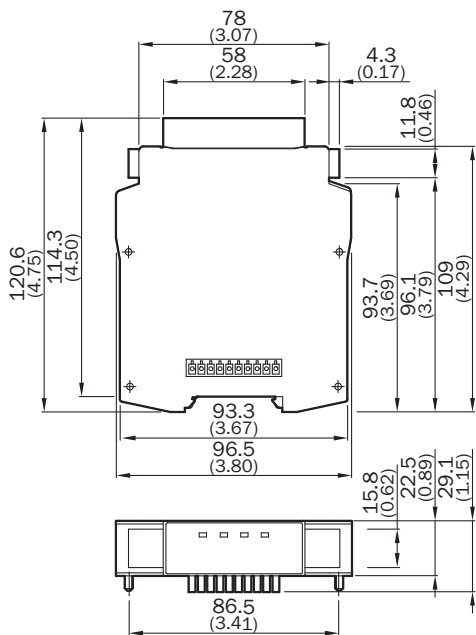
Enclosure rating	IP20 (EN 60529)
Ambient operating temperature	-25 °C ... +55 °C
Storage temperature	-25 °C ... +70 °C
Air humidity	10 % ... 95 %, Non-condensing

Classifications

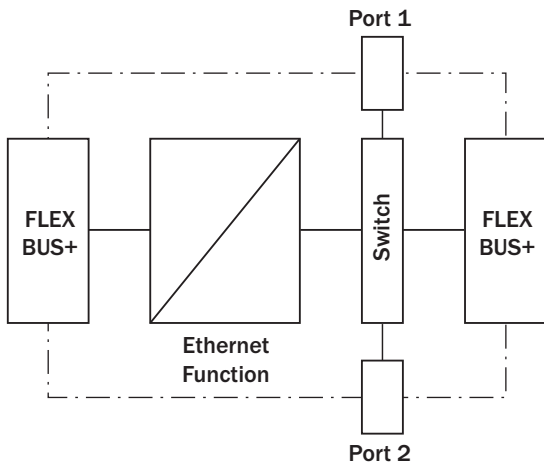
ECI@ss 5.0	27243001
ECI@ss 5.1.4	27243101
ECI@ss 6.0	27243101
ECI@ss 6.2	27243101
ECI@ss 7.0	27243101
ECI@ss 8.0	27243101
ECI@ss 8.1	27243101
ECI@ss 9.0	27243101
ECI@ss 10.0	27243101
ECI@ss 11.0	27243101
ETIM 5.0	EC001449
ETIM 6.0	EC001449
ETIM 7.0	EC001449
ETIM 8.0	EC001449
UNSPSC 16.0901	32151705

Dimensional drawing (Dimensions in mm (inch))

FX0-GENT, FX0-GMOD, FX0-GPNT



Connection diagram



SICK AT A GLANCE

SICK is one of the leading manufacturers of intelligent sensors and sensor solutions for industrial applications. A unique range of products and services creates the perfect basis for controlling processes securely and efficiently, protecting individuals from accidents and preventing damage to the environment.

We have extensive experience in a wide range of industries and understand their processes and requirements. With intelligent sensors, we can deliver exactly what our customers need. In application centers in Europe, Asia and North America, system solutions are tested and optimized in accordance with customer specifications. All this makes us a reliable supplier and development partner.

Comprehensive services complete our offering: SICK LifeTime Services provide support throughout the machine life cycle and ensure safety and productivity.

For us, that is “Sensor Intelligence.”

WORLDWIDE PRESENCE:

Contacts and other locations –www.sick.com