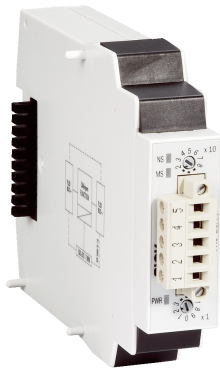


FX0-GCAN00000

Safe EFI-pro System

SAFETY SYSTEMS FOR AGVS AND AMRS

SICK
Sensor Intelligence.



Ordering information

| | Fieldbus, industrial network | Type | Part no. |
|----------|------------------------------|---------------|----------|
| Gateways | CANopen | FX0-GCAN00000 | 1044076 |

Other models and accessories → www.sick.com/Safe_EFI-pro_System



Detailed technical data

Features

| | |
|-------------------------------------|--|
| Module | Gateway |
| Fieldbus, industrial network | CANopen |
| Configuration method | Via software (Flexi Soft Designer) Safe EFI-pro System: Safety Designer |

Interfaces

| | |
|-------------------------------------|---|
| Fieldbus, industrial network | CANopen |
| Data transmission rate | ≤ 1,000 kbit/s ¹⁾ |
| Connection type | 1 x female connector, Open Style, 5-pin |

¹⁾ Depending on cable length.

Electrical data

| | |
|-----------------------------------|-----------------------|
| Protection class | III (EN 61140) |
| Voltage supply | Via FLEXBUS+ |
| Internal power consumption | ≤ 1.6 W ¹⁾ |

¹⁾ Via FLEXBUS+.

Mechanical data

| | |
|-------------------------------|----------------------------|
| Dimensions (W x H x D) | 22.5 mm x 96.5 mm x 131 mm |
| Weight | 150 g (± 10 %) |

Ambient data

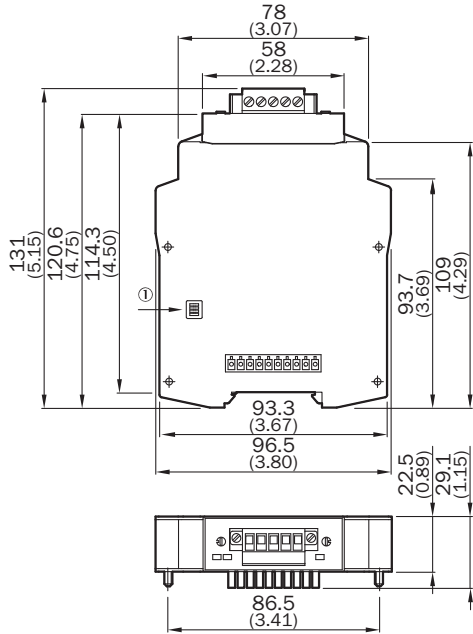
| | |
|--------------------------------------|-------------------------------|
| Enclosure rating | IP20 (EN 60529) |
| Ambient operating temperature | -25 °C ... +55 °C |
| Storage temperature | -25 °C ... +70 °C |
| Air humidity | 10 % ... 95 %, Non-condensing |

Classifications

| | |
|-----------------------|----------|
| ECI@ss 5.0 | 27243001 |
| ECI@ss 5.1.4 | 27243101 |
| ECI@ss 6.0 | 27243101 |
| ECI@ss 6.2 | 27243101 |
| ECI@ss 7.0 | 27243101 |
| ECI@ss 8.0 | 27243101 |
| ECI@ss 8.1 | 27243101 |
| ECI@ss 9.0 | 27243101 |
| ECI@ss 10.0 | 27243101 |
| ECI@ss 11.0 | 27243101 |
| ETIM 5.0 | EC001449 |
| ETIM 6.0 | EC001449 |
| ETIM 7.0 | EC001449 |
| ETIM 8.0 | EC001449 |
| UNSPSC 16.0901 | 32151705 |

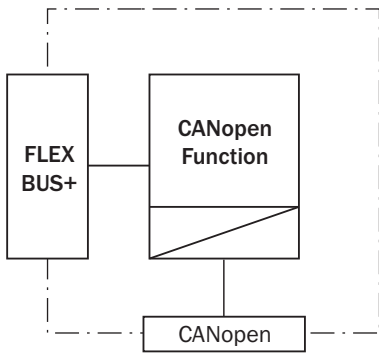
Dimensional drawing (Dimensions in mm (inch))

FX0-GCAN, FX0-GDEV



① On the rear

Connection diagram



SICK AT A GLANCE

SICK is one of the leading manufacturers of intelligent sensors and sensor solutions for industrial applications. A unique range of products and services creates the perfect basis for controlling processes securely and efficiently, protecting individuals from accidents and preventing damage to the environment.

We have extensive experience in a wide range of industries and understand their processes and requirements. With intelligent sensors, we can deliver exactly what our customers need. In application centers in Europe, Asia and North America, system solutions are tested and optimized in accordance with customer specifications. All this makes us a reliable supplier and development partner.

Comprehensive services complete our offering: SICK LifeTime Services provide support throughout the machine life cycle and ensure safety and productivity.

For us, that is “Sensor Intelligence.”

WORLDWIDE PRESENCE:

Contacts and other locations –www.sick.com