

Antenna - RAD-ISM-900-ANT-YAGI-10-N - 5606614

Please be informed that the data shown in this PDF Document is generated from our Online Catalog. Please find the complete data in the user's documentation. Our General Terms of Use for Downloads are valid (<http://phoenixcontact.com/download>)




Directional antenna 868 MHz / 900 MHz, gain: 12 dBi, polarization: linear, opening angle: h/v 56°/46°, degree of protection: IP65, connection: N (female), incl. mounting bracket and mast clips

Why buy this product

- For large distances
- For point-to-point connections



Key Commercial Data

| | |
|--------------------------------------|---|
| Packing unit | 1 STK |
| GTIN |  4 046356 686419 |
| GTIN | 4046356686419 |
| Weight per Piece (excluding packing) | 1.700 kg |
| Weight per piece (including packing) | 1.700 kg |
| Custom tariff number | 85177000 |
| Country of origin | United States |

Technical data

Dimensions

| | |
|--------|----------|
| Width | 60.5 mm |
| Height | 172 mm |
| Length | 609.6 mm |

Ambient conditions

| | |
|---------------------------------|------------------|
| Degree of protection | IP65 |
| Ambient temperature (operation) | -40 °C ... 80 °C |

General

| | |
|-----------------------|---------|
| With connecting cable | yes |
| Frequency range | 900 MHz |

Antenna - RAD-ISM-900-ANT-YAGI-10-N - 5606614

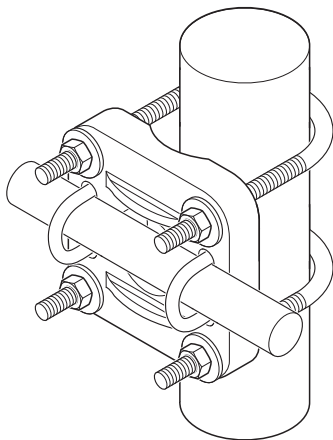
Technical data

General

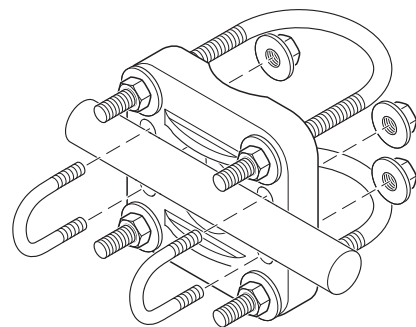
| | |
|----------------------|-------------------------------|
| | 868 MHz ... 960 MHz |
| Horizontal beamwidth | 56 ° |
| Vertical beamwidth | 46 ° |
| Polarization | Linear vertical or horizontal |
| Impedance | 50 Ω |
| Gain | 12.15 dBi |
| Wind velocity | 200 km/h |
| Connection method | N (female) with cable (0.6 m) |
| Material | Aluminum (Antenna housing) |
| | V2A (Bracket) |
| | V2A (U-shaped screw) |
| Mounting type | Mast mounting |
| External diameter | 32 mm ... 60 mm (Mast) |

Drawings

Schematic diagram



Schematic diagram



Mast mounting

Classifications

eCl@ss

| | |
|------------|----------|
| eCl@ss 4.0 | 27250312 |
| eCl@ss 4.1 | 27250312 |
| eCl@ss 5.0 | 19070102 |
| eCl@ss 5.1 | 19070102 |
| eCl@ss 6.0 | 19070102 |
| eCl@ss 7.0 | 19070102 |
| eCl@ss 8.0 | 19070105 |

Antenna - RAD-ISM-900-ANT-YAGI-10-N - 5606614

Classifications

eCl@ss

| | |
|------------|----------|
| eCl@ss 9.0 | 19070105 |
|------------|----------|

ETIM

| | |
|----------|----------|
| ETIM 3.0 | EC001698 |
| ETIM 4.0 | EC000019 |
| ETIM 5.0 | EC001698 |
| ETIM 6.0 | EC001698 |

UNSPSC

| | |
|---------------|----------|
| UNSPSC 6.01 | 43171611 |
| UNSPSC 7.0901 | 43221706 |
| UNSPSC 11 | 43171611 |
| UNSPSC 12.01 | 43221706 |
| UNSPSC 13.2 | 43221715 |