

# Type 3 surge protection device - PLT-SEC-T3-24-FM-PT - 2907925

Please be informed that the data shown in this PDF Document is generated from our Online Catalog. Please find the complete data in the user's documentation. Our General Terms of Use for Downloads are valid (<http://phoenixcontact.com/download>)




Type 3 surge protection, consisting of protective plug and base element, with integrated status indicator and remote signaling for single-phase power supply networks. Nominal voltage 24 V AC/DC.

## Your advantages

- ✓ Quick, tool-free installation with Push-in connection technology
- ✓ Increased service life and availability of the system, thanks to optimal protection of your industrial power supply
- ✓ 5-year warranty on your QUINT 4 power supply when installed together with PLT-SEC, see document in the download area
- ✓ Easy maintenance and testing of protective devices, thanks to pluggable connections



## Key Commercial Data

Packing unit	5 pc
GTIN	 4 055626 257495
GTIN	4055626257495
Weight per Piece (excluding packing)	77.160 g
Weight per piece (including packing)	91.220 g
Custom tariff number	85363030
Country of origin	Germany
Note	Made to Order (non-returnable)

## Technical data

### Dimensions

Height	101 mm
Width	17.7 mm
Depth	74.5 mm (incl. DIN rail 7.5 mm)
Horizontal pitch	1 Div.

### Ambient conditions

Degree of protection	IP20
----------------------	------

# Type 3 surge protection device - PLT-SEC-T3-24-FM-PT - 2907925

## Technical data

### Ambient conditions

Ambient temperature (operation)	-40 °C ... 80 °C
Ambient temperature (storage/transport)	-40 °C ... 80 °C
Altitude	≤ 2000 m (operating voltage remote contact ≤ 250 V)
	≤ 6000 m (operating voltage remote contact ≤ 150 V)
Permissible humidity (operation)	5 % ... 95 %
Shock (operation)	30g (Half-sine / 11 ms / 3x ±X, ±Y, ±Z)
Vibration (operation)	5g (5 ... 500 Hz / 2.5 h / X, Y, Z)

### General

EN type	T3
IEC power supply system	TN-S
Number of ports	One
Mode of protection	L-N
	L-PE
	N-PE
Mounting type	DIN rail: 35 mm
Color	light grey RAL 7035
	traffic grey A RAL 7042
Housing material	PA 6.6-FR 20 % GF
	PA 6.6-FR
Degree of pollution	2
Flammability rating according to UL 94	V-0
Type	DIN rail module, two-section, divisible
Number of positions	2
Surge protection fault message	Optical, remote indicator contact

### Protective circuit

Nominal voltage $U_N$	24 V AC (TN-S)
Nominal frequency $f_N$	50 Hz (60 Hz)
Maximum continuous voltage $U_C$	34 V AC
Rated load current $I_L$	26 A (at 30 °C)
Residual current $I_{PE}$	≤ 5 μA
Nominal discharge current $I_n$ (8/20) μs	1 kA
Standby power consumption $P_C$	≤ 2.7 mVA (at $U_{REF}$ )
	≤ 4.8 mVA (at $U_C$ )
Reference test voltage $U_{REF}$	27 V AC
Combination wave $U_{OC}$	2 kV
Voltage protection level $U_p$ (L-N)	≤ 0.2 kV
Voltage protection level $U_p$ (L-PE)	≤ 0.6 kV
Voltage protection level $U_p$ (N-PE)	≤ 0.6 kV
TOV behavior at $U_T$ (L-N)	50 V AC (120 min / withstand mode)

# Type 3 surge protection device - PLT-SEC-T3-24-FM-PT - 2907925

## Technical data

### Protective circuit

TOV behavior at $U_T$ (L-PE)	50 V AC (120 min / withstand mode)
Response time $t_A$ (L-N)	$\leq 25$ ns
Response time $t_A$ (L-PE)	$\leq 100$ ns
Response time $t_A$ (N-PE)	$\leq 100$ ns
Short-circuit current rating $I_{SCCR}$	10 kA AC
Max. backup fuse with branch wiring	32 A (gG / B / C)
Maximum backup fuse for through wiring	25 A (gG / B / C)

### Additional technical data

Short-circuit current rating $I_{SCCR}$	0.25 kA DC ( )
	5 kA DC (for 20 A gG / B backup fuse)
Maximum discharge current $I_{max}$ (8/20) $\mu$ s	4 kA
Nominal discharge current $I_n$ (8/20) $\mu$ s	3 kA
Maximum continuous voltage $U_C$	44 V DC
Residual voltage $U_{res}$ (L-N)	$\leq 0.16$ kV (at 0.5 kA)
	$\leq 0.2$ kV (at 1 kA)
Residual voltage $U_{res}$ (L-PE)	$\leq 0.35$ kV (at 0.5 kA)
	$\leq 0.4$ kV (at 1 kA)
Residual voltage $U_{res}$ (N-PE)	$\leq 0.35$ kV (at 0.5 kA)
	$\leq 0.4$ kV (at 1 kA)
Voltage protection level $U_p$ (L-N)	0.25 kV (at 3 kA)
Voltage protection level $U_p$ (L-PE)	0.6 kV (at 3 kA)
Voltage protection level $U_p$ (N-PE)	0.6 kV (at 3 kA)
Mode of protection	(DC+) - (DC-)
	(DC+/DC-) - PE

### Indicator/remote signaling

Switching function	PDT contact
Operating voltage	250 V AC
	125 V DC (200 mA DC)
Operating current	0.5 A AC
	0.5 A DC (75 V DC)
Connection method	Push-in connection
Conductor cross section flexible	0.2 mm <sup>2</sup> ... 2.5 mm <sup>2</sup>
Conductor cross section solid	0.2 mm <sup>2</sup> ... 2.5 mm <sup>2</sup>
Conductor cross section AWG	30 ... 12
Stripping length	10 mm

### Connection data

Connection method	Push-in connection
Conductor cross section flexible	0.2 mm <sup>2</sup> ... 2.5 mm <sup>2</sup>
Conductor cross section solid	0.2 mm <sup>2</sup> ... 4 mm <sup>2</sup>

# Type 3 surge protection device - PLT-SEC-T3-24-FM-PT - 2907925

## Technical data

### Connection data

Conductor cross section AWG	24 ... 12
Stripping length	10 mm

### Standards and Regulations

Standards/specifications	IEC 61643-11 2011
	EN 61643-11 2012

### Environmental Product Compliance

China RoHS	Environmentally friendly use period: unlimited = EFUP-e
	No hazardous substances above threshold values

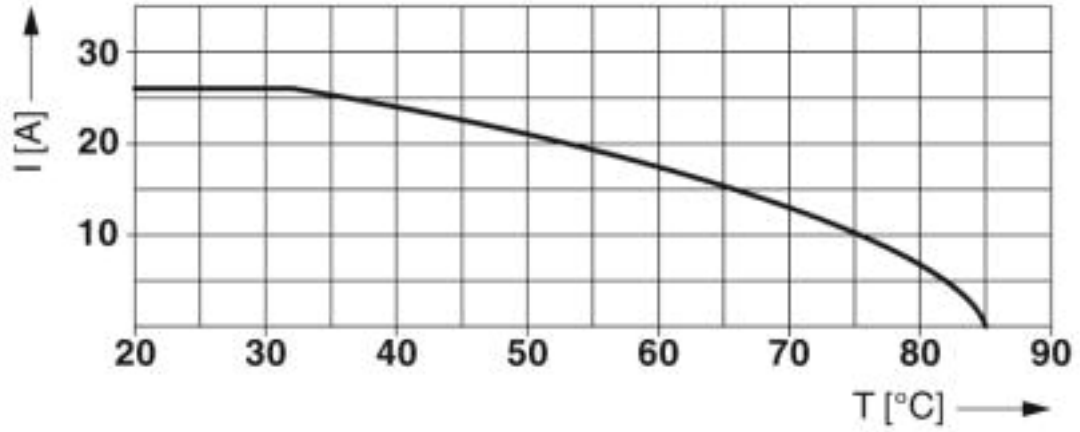
## Drawings

Product drawing



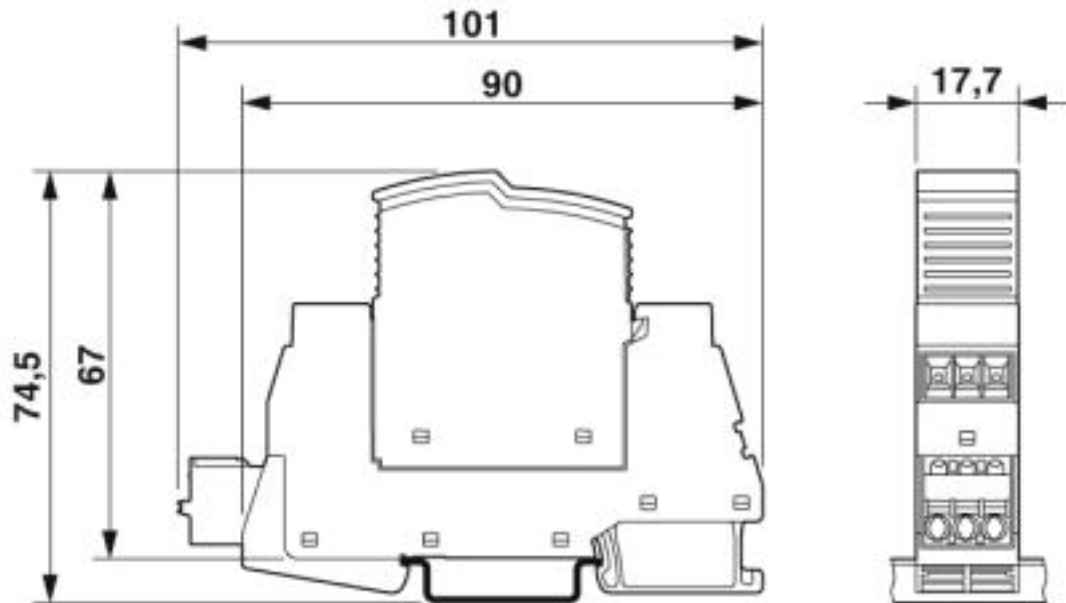
# Type 3 surge protection device - PLT-SEC-T3-24-FM-PT - 2907925

Diagram



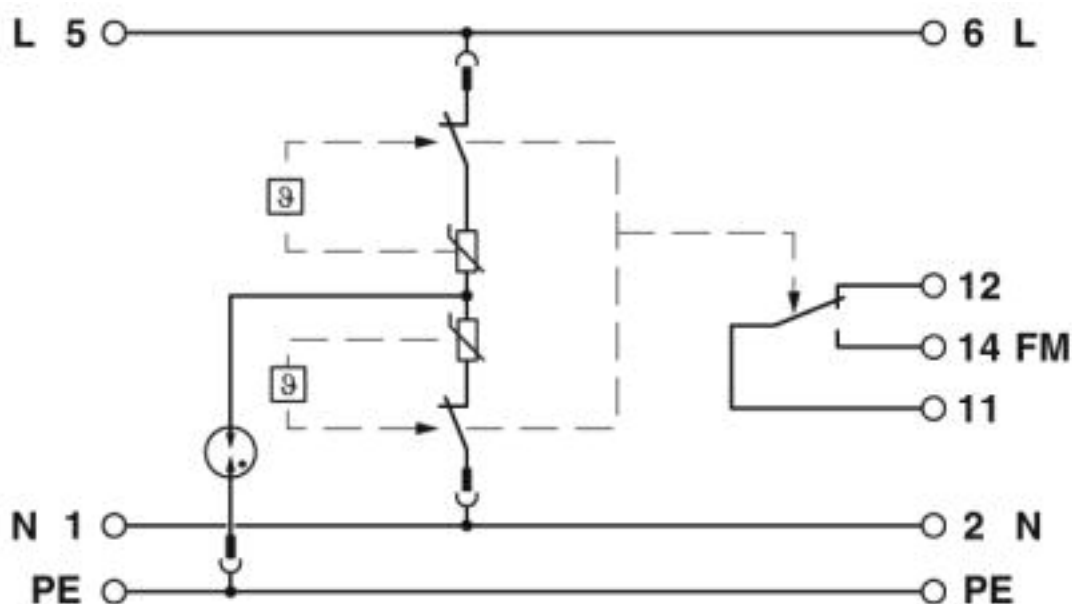
Nominal current depending on ambient temperature

Dimensional drawing



## Type 3 surge protection device - PLT-SEC-T3-24-FM-PT - 2907925

Circuit diagram



### Classifications

eCl@ss

eCl@ss 6.0	27130800
eCl@ss 7.0	27130806
eCl@ss 8.0	27130806
eCl@ss 9.0	27130806

ETIM

ETIM 5.0	EC000942
ETIM 6.0	EC000942
ETIM 7.0	EC000942

### Approvals

Approvals

Approvals

DNV GL / CCA / KEMA-KEUR / IECCE CB Scheme / EAC

Ex Approvals

Approval details

# Type 3 surge protection device - PLT-SEC-T3-24-FM-PT - 2907925

## Approvals

DNV GL		<a href="https://approvalfinder.dnvgl.com/">https://approvalfinder.dnvgl.com/</a>	TAE00002U7
--------	--	---	------------

CCA			NTR-NL 7676
-----	--	--	-------------

KEMA-KEUR		<a href="http://www.dekra-certification.com">http://www.dekra-certification.com</a>	71-103027
-----------	--	---	-----------

IECEE CB Scheme		<a href="http://www.iecee.org/">http://www.iecee.org/</a>	NL-51083
-----------------	--	---	----------

EAC			RU C- DE.A*30.B01561
-----	--	--	-------------------------

## Accessories

### Accessories

#### Device marking

Label - EML (20XE)R - 0803452



Label, Roll, white, unlabeled, can be labeled with: THERMOMARK ROLLMASTER 300/600, THERMOMARK X1.2, THERMOMARK ROLL X1, THERMOMARK ROLL 2.0, THERMOMARK ROLL, mounting type: adhesive, lettering field size: continuous x 20 mm

Label - EML (20XE)R YE - 0803453



Label, Roll, yellow, unlabeled, can be labeled with: THERMOMARK ROLLMASTER 300/600, THERMOMARK X1.2, THERMOMARK ROLL X1, THERMOMARK ROLL 2.0, THERMOMARK ROLL, mounting type: adhesive, lettering field size: continuous x 20 mm

## End block

## Type 3 surge protection device - PLT-SEC-T3-24-FM-PT - 2907925

### Accessories

End clamp - CLIPFIX 35 - 3022218



Quick mounting end clamp for NS 35/7,5 DIN rail or NS 35/15 DIN rail, with marking option, width: 9.5 mm, color: gray

---

### Marker pen

Marker pen - X-PEN 0,35 - 0811228



Marker pen without ink cartridge, for manual labeling of markers, labeling extremely wipe-proof, line thickness 0.35 mm

---

### Spare parts

Type 3 surge protection plug - PLT-SEC-T3-24-P-UT/PT - 2907920



Replacement plug for type 3 surge protection from the PLT-SEC-...-UT/PT product series. Nominal voltage 24 V.

---

Type 3 surge protection base element - PLT-SEC-T3-BE-FM-PT - 2907929



Base element for protective plugs from the PLT-SEC-...-UT/PT product series with remote indication contact.

---