

Uninterruptible power supply - TRIO-UPS-2G/1AC/1AC/230V/750VA - 2905909

Please be informed that the data shown in this PDF Document is generated from our Online Catalog. Please find the complete data in the user's documentation. Our General Terms of Use for Downloads are valid (<http://phoenixcontact.com/download>)



1AC/1AC/750 VA uninterruptible power supply with integrated energy storage, lead AGM, VRLA technology, 24 V DC, 3.4 Ah for 230 V AC applications.

Product Description


UPS modules with integrated energy storage are particularly space saving: UPS module and energy storage are combined in one housing. The TRIO AC-UPS ensures seamless transition to battery operation thanks to the pure sine curve. Connected industrial PCs can be shut down safely via the integrated USB interface.

Your advantages

- ✓ Smooth transition, thanks to the pure sine curve: the sine generated in battery operation is synchronous with the mains previously used for supply
- ✓ Space saving: UPS module and energy storage combined in one housing
- ✓ Long buffer times with integrated VRLA energy storage, can be extended with additional energy storage
- ✓ USB interface for connection to higher-level controllers such as industrial PCs
- ✓ Startup from energy storage possible, even without mains input



Key Commercial Data

Packing unit	1 pc
GTIN	 4 055626 007502
GTIN	4055626007502
Weight per Piece (excluding packing)	6,009.000 g
Weight per piece (including packing)	6,009.000 g
Custom tariff number	85371091
Country of origin	Germany

Technical data

Dimensions

Width	210 mm
Height	170 mm

Uninterruptible power supply - TRIO-UPS-2G/1AC/1AC/230V/750VA - 2905909

Technical data

Dimensions

Depth	136 mm
-------	--------

Ambient conditions

Ambient temperature (operation)	0 °C ... 40 °C
Ambient temperature (storage/transport)	-15 °C ... 40 °C (with charged energy storage device)
Max. permissible relative humidity (operation)	≤ 95 % (25 °C, non-condensing)
Maximum altitude	≤ 3000 m (> 2000 m, observe derating)
Vibration (operation)	5 Hz ... 100 Hz, 0.7g (EN 60068-2-6)
Shock	20g in all directions (EN 60068-2-27)
	30g in each space direction with UWA 130
Degree of pollution	2
Climatic class	3K3 (in acc. with EN 60721)

Input data

Nominal input voltage	230 V AC
Input voltage range	184 V AC ... 264 V AC
Frequency range	45 Hz ... 65 Hz
	55 Hz ... 65 Hz
Current consumption	3 A
Permissible backup fuse	B6 B10 B16

Connection data, input

Connection method	Push-in connection
Conductor cross section solid min.	0.2 mm ²
Conductor cross section solid max.	4 mm ²
Conductor cross section flexible min.	0.2 mm ²
Conductor cross section flexible max.	2.5 mm ²
Conductor cross section AWG min.	24
Conductor cross section AWG max.	12
Stripping length	10 mm

Output data

Apparent power	750 VA
Rated Power (Real Power)	600 W
Power factor (cos phi)	0.8
Crest factor	2.8
Switch-over time	< 10 ms
Classification according to IEC 62040-3	VFD-SS-311

Output data (mains operation)

Nominal output voltage (U _N)	230 V AC
Nominal output current (I _N)	3 A (750 VA)

Uninterruptible power supply - TRIO-UPS-2G/1AC/1AC/230V/750VA - 2905909

Technical data

Output data (battery operation)

Nominal output voltage (U _N)	230 V AC
Nominal output current (I _N)	3 A (750 VA)
Form of output voltage	Pure sine
Frequency (after automatic detection in mains operation)	50 Hz
	60 Hz

Connection data, output

Connection method	Push-in connection
Conductor cross section solid min.	0.2 mm ²
Conductor cross section solid max.	4 mm ²
Conductor cross section flexible min.	0.2 mm ²
Conductor cross section flexible max.	2.5 mm ²
Conductor cross section AWG min.	24
Conductor cross section AWG max.	12
Stripping length	10 mm

General data

Efficiency	> 95 % (with charged energy storage device)
MTBF (IEC 61709, SN 29500)	> 206000 h (40 °C)
Degree of protection	IP20
Protection class	I
Type of housing	DX51D+AZ (steel sheet / Galvalume)
Hood version	PC + ABS
Input fuse	10 A 400 V gRL
Weight	5.7 kg

Energy storage

Battery technology	Lead rechargeable battery module
Accumulator type	2x Panasonic UP-VW1220P1
Capacity	3.4 Ah
Battery fuse	40 A, 32 V
Charging time	7 h
Service life	6 Years ... 9 Years (20 °C)
Latest startup	6 Months (0 °C ... 20 °C)
Buffer period	20 min. (100 W)
	4 min. (300 W)
	1 min. (600 W)
Can be extended with external battery	1x 24 V 3.4 Ah

Connection data for the external battery

Connection method	Push-in connection
-------------------	--------------------

Uninterruptible power supply - TRIO-UPS-2G/1AC/1AC/230V/750VA - 2905909

Technical data

Connection data for the external battery

Conductor cross section solid min.	0.2 mm ²
Conductor cross section solid max.	10 mm ²
Conductor cross section flexible min.	0.2 mm ²
Conductor cross section flexible max.	6 mm ²
Conductor cross section AWG min.	24
Conductor cross section AWG max.	8
Stripping length	15 mm

Status and diagnostics indicator / signal outputs - Alarm

Switching output	Transistor output, active
Output voltage	24 V (SELV)
Continuous load current	≤ 20 mA
Status display	LED red

Status and diagnostics indicator / signal outputs - Battery Mode

Switching output	Transistor output, active
Output voltage	24 V (SELV)
Continuous load current	≤ 20 mA
Status display	Yellow LED

Status and diagnostics indicator / signal outputs - Ready

Switching output	Transistor output, active
Output voltage	24 V (SELV)
Continuous load current	≤ 20 mA

Status and diagnostics indicator / signal outputs - Battery Charge

Status display	Yellow LED
----------------	------------

Status and diagnostics indicator / signal outputs - AC OK, P>Pn, Remote

Status display	Green LED
----------------	-----------

Status and diagnostics indicator / signal outputs - Service

Status display	LED red
----------------	---------

Connection data for signaling

Connection method	Push-in connection
Conductor cross section solid min.	0.2 mm ²
Conductor cross section solid max.	1.5 mm ²
Conductor cross section flexible min.	0.2 mm ²
Conductor cross section flexible max.	1.5 mm ²
Conductor cross section AWG min.	24

Uninterruptible power supply - TRIO-UPS-2G/1AC/1AC/230V/750VA - 2905909

Technical data

Connection data for signaling

Conductor cross section AWG max.	16
Stripping length	8 mm

Remote control

Designation	Remote
Low signal	Connection to SGnd with < 2.7 kΩ
High signal	Open (> 35 kΩ between remote and SGnd)

Battery-operated start (bat. start)

Low signal	Connection to SGnd with < 2.7 kΩ
High signal	Open (> 200 kΩ between bat. start and SGnd)

Interfaces

Interface	MINI-USB type B
-----------	-----------------

Device combinations

UPS connection in parallel	no
UPS connection in series	no

Standards

Standard uninterruptible power supply systems	EN 62040-1
-----------------------------------------------	------------

EMC data

Electromagnetic compatibility	Conformance with EMC Directive 2014/30/EU
Low Voltage Directive	Conformance with Low Voltage Directive 2014/35/EC
Electrostatic discharge	EN 61000-4-2
Contact discharge	6 kV (Test Level 3)
Discharge in air	8 kV (Test Level 3)
Electromagnetic HF field	EN 61000-4-3
Frequency range	80 MHz ... 3 GHz
Test field strength	10 V/m
Comments	Criterion A
Fast transients (burst)	EN 61000-4-4
Input	2 kV (Test Level 3 - asymmetrical)
Output	2 kV (Test Level 3 - asymmetrical)
Signal	2 kV (Test Level 3 - asymmetrical)
Comments	Criterion A (B for USB)
Surge voltage load (surge)	EN 61000-4-5
Input	1 kV (Test Level 2 - symmetrical)
	2 kV (Test Level 3 - asymmetrical)
Output	1 kV (Test Level 2 - symmetrical)
	2 kV (Test Level 3 - asymmetrical)
Signal	1 kV (Test Level 2 - asymmetrical)

Uninterruptible power supply - TRIO-UPS-2G/1AC/1AC/230V/750VA - 2905909

Technical data

EMC data

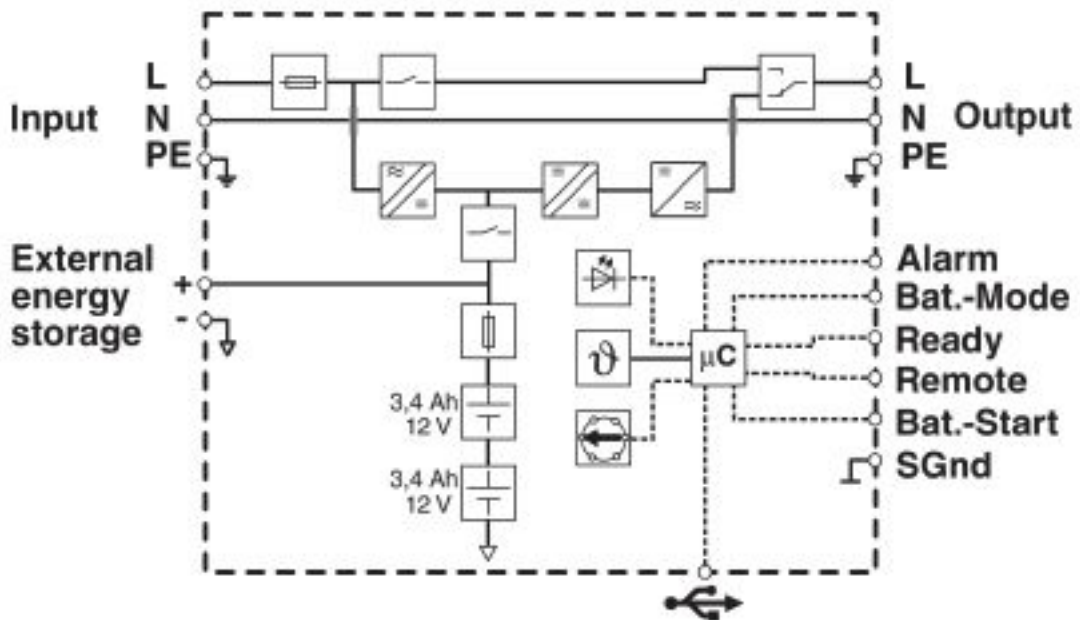
Comments	Criterion A
Frequency range	0.15 MHz ... 80 MHz
Voltage	10 V
Comments	Criterion A
Frequency	50 Hz
Test field strength	100 A/m
Comments	Criterion A
Criterion A	Normal operating behavior within the specified limits.
Criterion B	Temporary impairment to operational behavior that is corrected by the device itself.

Environmental Product Compliance

China RoHS	Environmentally Friendly Use Period = 3
	For details about hazardous substances go to tab "Downloads", Category "Manufacturer's declaration"

Drawings

Block diagram



Classifications

eCl@ss

eCl@ss 4.0	27040600
------------	----------

Uninterruptible power supply - TRIO-UPS-2G/1AC/1AC/230V/750VA - 2905909

Classifications

eCl@ss

eCl@ss 4.1	27040600
eCl@ss 5.0	27040600
eCl@ss 5.1	27040600
eCl@ss 6.0	27040600
eCl@ss 7.0	27040602
eCl@ss 8.0	27040602
eCl@ss 9.0	27040705

ETIM

ETIM 5.0	EC000382
ETIM 6.0	EC000382
ETIM 7.0	EC000382

UNSPSC

UNSPSC 13.2	39121011
UNSPSC 18.0	39121011
UNSPSC 19.0	39121011
UNSPSC 20.0	39121011
UNSPSC 21.0	39121011

Approvals

Approvals

Approvals

IECEE CB Scheme / EAC

Ex Approvals

Approval details

IECEE CB Scheme		http://www.iecee.org/	DK-56005-M1-UL
-----------------	--	-----------------------------------------------------------	----------------

EAC			RU*DE*08.B.01873/19
-----	--	--	---------------------

Uninterruptible power supply - TRIO-UPS-2G/1AC/1AC/230V/750VA - 2905909

Accessories

Accessories

Assembly adapter

Assembly adapters - UWA 130 - 2901664



2-piece universal wall adapter for securely mounting the device in the event of strong vibrations. The profiles that are screwed onto the side of the device are screwed directly onto the mounting surface. The universal wall adapter is attached on the left/right.

Battery unit

Energy storage - QUINT-BAT/24DC/ 3.4AH - 2866349



Energy storage device, lead AGM, VRLA technology, 24 V DC, 3.4 Ah. Connection via pin cable lug, 14 mm.

Uninterruptible power supply replacement battery - UPS-BAT-KIT-VRLA 2X12V/3,4AH - 2908233



Replacement battery for UPS-BAT/VRLA... energy storage

Data cable preassembled

Data cable - MINI-SCREW-USB-DATACABLE - 2908217



Used for communication between an industrial PC and Phoenix Contact devices with USB-Mini-B connection.

Fuse

Uninterruptible power supply - TRIO- UPS-2G/1AC/1AC/230V/750VA - 2905909

Accessories

Fuse - FUSE 10A/400V GRL - 2908358



Fuse, nominal current: 10 A, length: 31.8 mm, diameter: 6.35 mm

Fuse - FUSE 40A/32V ATOF - 2908357



Fuse, nominal current: 40 A, length: 19 mm, width: 5 mm, height: 18.8 mm
