


## Extension module - PLC-V8C/PT-24DC/EM - 2905137

Please be informed that the data shown in this PDF Document is generated from our Online Catalog. Please find the complete data in the user's documentation. Our General Terms of Use for Downloads are valid (<http://phoenixcontact.com/download>)



PLC logic extension logic module with 16 I/Os for plug-in connection to 8 PLC-INTERFACE terminal blocks for extending the basic module (a maximum of two extension modules can be connected to a basic module), push-in connection

### Key Commercial Data

Packing unit	1 STK
GTIN	 4 046356 919487
GTIN	4046356919487
Weight per Piece (excluding packing)	121.200 g
Weight per piece (including packing)	121.200 g
Custom tariff number	85389099
Country of origin	Germany

### Technical data

#### Note

Utilization restriction	EMC: class A product, see manufacturer's declaration in the download area
-------------------------	---

#### Power supply

Supply voltage	24 V DC
Supply voltage range	19.2 V DC ... 26.4 V DC
Maximum input current at U <sub>N</sub>	65 mA
Protective circuit	Reverse polarity protection
	Surge protection
Status display	Green LED

#### Input data (digital)

Number of inputs	8 (2 configurable as analog)
Description of the input	EN 61131-2, type 3
Input voltage	24 V DC

## Extension module - PLC-V8C/PT-24DC/EM - 2905137

### Technical data

#### Input data (digital)

Signal level "0" signal	< 5 V
Signal level "1" signal	> 11 V
Input current "0" signal	< 1 mA
Input current "1" signal	typ. 2.5 mA
Status display	Yellow LED

#### Input data (analog)

Number of inputs	2 (IN6 and IN7 are configurable as analog)
Input voltage range	0 V ... 10 V
Input resistance	> 3.5 kΩ

#### Input data (PLC-INTERFACE)

Number of inputs	≤ 8
Description of the input	technical data depends on the PLC-INTERFACE terminal block used
Input voltage	19 V DC
Typical current consumption	4 mA
Input resistance	< 100 mΩ

#### Output data

Number of outputs	≤ 8
Nominal output voltage	24 V DC
Nominal current	9 mA

#### General

Color	green
Mounting position	any
Assembly instructions	can be plugged onto 8 x PLC-INTERFACE terminal blocks
Operating mode	100% operating factor
Degree of protection	IP20

#### Connection data (supply and digital inputs)

Connection method	Push-in connection
Stripping length	9 mm
Conductor cross section solid	0.14 mm <sup>2</sup> ... 1.5 mm <sup>2</sup>
Conductor cross section flexible	0.14 mm <sup>2</sup> ... 1.5 mm <sup>2</sup>
	0.25 mm <sup>2</sup> ... 0.5 mm <sup>2</sup> (Ferrule with plastic sleeve)
	0.25 mm <sup>2</sup> ... 1.5 mm <sup>2</sup> (Ferrules without plastic sleeve)
Conductor cross section AWG	26 ... 16
Number of connections	1
Number of positions	10
Note	Device supply and 8 x inputs

#### Connection data (PLC V8C bus)

Connection method	Insulation displacement connection
-------------------	------------------------------------

## Extension module - PLC-V8C/PT-24DC/EM - 2905137

### Technical data

#### Connection data (PLC V8C bus)

Number of connections	1
Number of positions	4

#### Ambient conditions

Ambient temperature (operation)	-20 °C ... 45 °C
Ambient temperature (storage/transport)	-20 °C ... 70 °C
Max. permissible relative humidity (operation)	95 %

#### Dimensions

Width	50 mm
Height	111 mm
Depth	87 mm

#### Standards and Regulations

Designation	Air clearances and creepage distances between the power circuits
Standards/regulations	DIN EN 50178
Rated insulation voltage	50 V
Rated surge voltage	0.8 kV
Insulation	Basic insulation
Degree of pollution	2
Overvoltage category	III
Conformance	CE-compliant

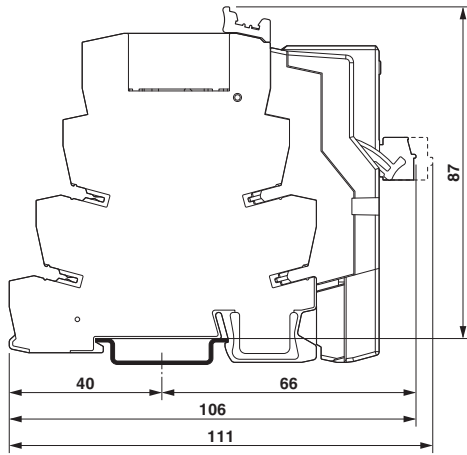
#### Environmental Product Compliance

China RoHS	Environmentally Friendly Use Period = 50
	For details about hazardous substances go to tab "Downloads", Category "Manufacturer's declaration"

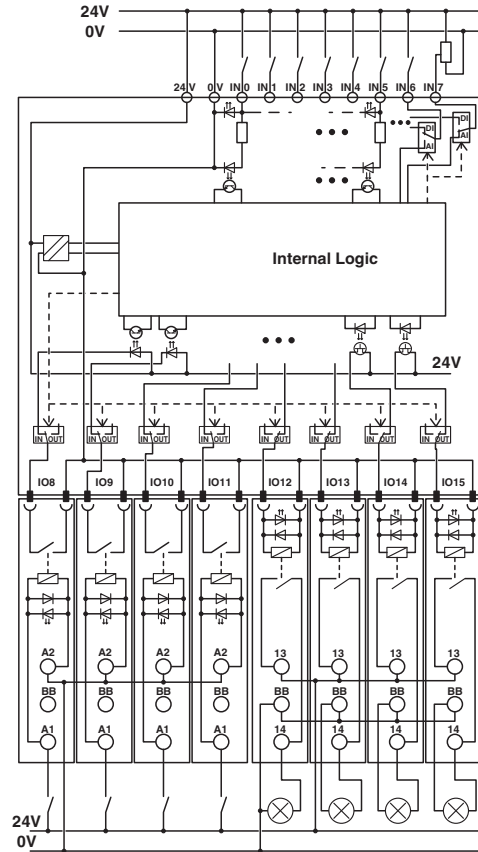
### Drawings

# Extension module - PLC-V8C/PT-24DC/EM - 2905137

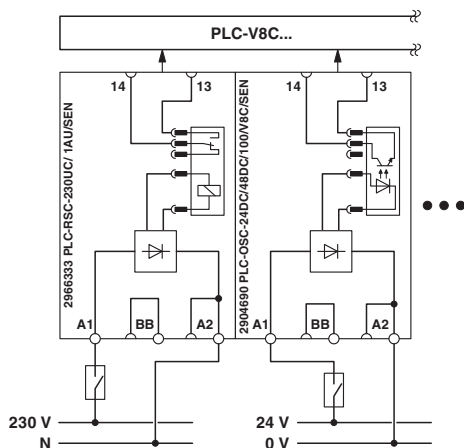
Dimensional drawing



Circuit diagram

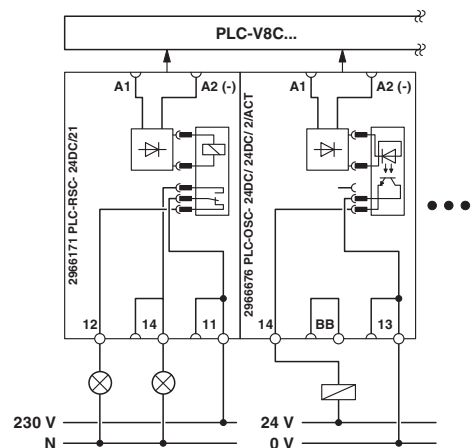


Circuit diagram



Basic circuit diagram: inputs via PLC-INTERFACE with the example of one input terminal block with relay (230 V AC) and one input terminal block with solid-state relay (24 V DC).

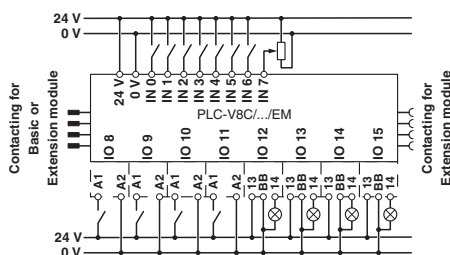
Circuit diagram



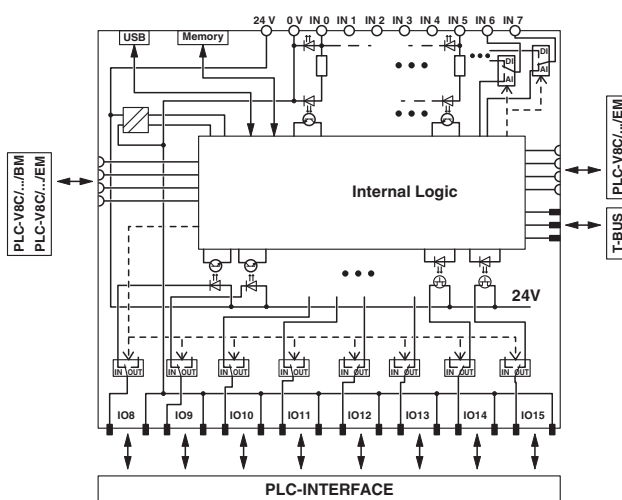
Basic circuit diagram: outputs via PLC-INTERFACE with the example of an output terminal block with relay, 1 PDT, and an output terminal block with solid-state relay.

# Extension module - PLC-V8C/PT-24DC/EM - 2905137

Connection diagram



Circuit diagram



## Classifications

eCl@ss

eCl@ss 4.0	27242216
eCl@ss 4.1	27242216
eCl@ss 5.0	27242216
eCl@ss 5.1	27242216
eCl@ss 6.0	27242216
eCl@ss 7.0	27242216
eCl@ss 8.0	27242216
eCl@ss 9.0	27242216

ETIM

ETIM 2.0	EC001417
ETIM 3.0	EC001417
ETIM 4.0	EC001417
ETIM 5.0	EC001417
ETIM 6.0	EC001417

# Extension module - PLC-V8C/PT-24DC/EM - 2905137

## Classifications

### UNSPSC

UNSPSC 13.2	39122329
-------------	----------

## Approvals

### Approvals

#### Approvals

UL Listed / cUL Listed / EAC / cULus Listed

#### Ex Approvals

## Approval details

UL Listed		<a href="http://database.ul.com/cgi-bin/XYV/template/LISEXT/1FRAME/index.htm">http://database.ul.com/cgi-bin/XYV/template/LISEXT/1FRAME/index.htm</a>	FILE E 172140
-----------	--	---	---------------

cUL Listed		<a href="http://database.ul.com/cgi-bin/XYV/template/LISEXT/1FRAME/index.htm">http://database.ul.com/cgi-bin/XYV/template/LISEXT/1FRAME/index.htm</a>	FILE E 172140
------------	--	---	---------------

EAC		EAC-Zulassung
-----	--	---------------

cULus Listed	
--------------	--

## Accessories

### Accessories

#### Labeled terminal marker

Zack Marker strip, flat - ZBF 19,7 CUS - 0825021



Zack Marker strip, flat, can be ordered: Strip, white, labeled according to customer specifications, Mounting type: snap into flat marker groove, for terminal block width: 19.7 mm, Lettering field: 5.15 x 19.7 mm

## Extension module - PLC-V8C/PT-24DC/EM - 2905137

### Accessories

#### Relay Module

##### Relay Module - PLC-RPT- 24DC/21 - 2900299



PLC-INTERFACE, consisting of PLC-BPT.../21 basic terminal block with push-in technology and plug-in miniature relay with power contact, for mounting on NS 35/7,5 DIN rails, 1 PDT, input voltage: 24 V DC

---

##### Relay Module - PLC-RPT- 24DC/21AU - 2900306



PLC-INTERFACE, consisting of PLC-BPT.../21 basic terminal block with push-in connection and plug-in miniature relay with multi-layer gold contact, for mounting on DIN rail NS 35/7,5, 1 PDT, input voltage 24 V DC

---

##### Relay Module - PLC-RPT- 24DC/ 1/ACT - 2900312



PLC-INTERFACE for output functions, consisting of PLC-BPT.../ACT basic terminal block with push-in connection and plug-in miniature relay with power contact, for mounting on DIN rail NS 35/7,5, 1 N/O contact, input voltage 24 V DC

---

##### Switch - PLC-RPT- 24UC/ 1/S/H - 2900328



PLC-INTERFACE with switch (operation by hand) and integrated power contact relay for the "Manual, Zero and Automatic" functions, with push-in connection, for mounting on DIN rail NS 35/7.5, one N/O contact, input voltage 24 V AC/DC

---

##### Relay Module - PLC-RSC- 24DC/21 - 2966171



PLC relay, consisting of base terminal block PLC-BSC.../21 with screw connection and pluggable miniature relay with power contact, for assembly on DIN rail NS 35/7.5, 1 PDT, input voltage 24 V DC

---

## Extension module - PLC-V8C/PT-24DC/EM - 2905137

### Accessories

#### Relay Module - PLC-RSC- 24DC/21AU - 2966265



PLC-INTERFACE, consisting of PLC-BSC.../21 basic terminal block with screw connection and plug-in miniature relay with multi-layer gold contact, for mounting on DIN rail NS 35/7,5, 1 PDT, input voltage 24 V DC

---

#### Switch - PLC-RSC- 24UC/ 1/S/H - 2982236



PLC-INTERFACE with switch (operation by hand) for the "Manual, Zero, and Automatic" functions, with screw connection and integrated power contact relay, for mounting on DIN rail NS 35/7,5, 1 N/O contact, input voltage 24 V AC/DC

---

#### Relay Module - PLC-RPT- 24DC/ 1AU/SEN - 2900313



PLC-INTERFACE for input functions, consisting of PLC-BPT.../SEN basic terminal block with push-in connection and plug-in miniature relay with multi-layer gold contact, for mounting on DIN rail NS 35/7,5, 1 N/O contact, input voltage 24 V DC

---

#### Relay Module - PLC-RPT-120UC/ 1AU/SEN - 2900314



PLC-INTERFACE for input functions, consisting of PLC-BPT.../SEN basic terminal block with push-in connection and plug-in miniature relay with multi-layer gold contact, for mounting on DIN rail NS 35/7,5, 1 N/O contact, input voltage 120 V AC/110 V DC

---

#### Relay Module - PLC-RPT-230UC/ 1AU/SEN - 2900315



PLC-INTERFACE for input functions, consisting of PLC-BPT.../SEN basic terminal block with push-in connection and plug-in miniature relay with multi-layer gold contact, for mounting on DIN rail NS 35/7,5, 1 N/O contact, input voltage 230 V AC/220 V DC

---



## Extension module - PLC-V8C/PT-24DC/EM - 2905137

### Accessories

#### Relay Module - PLC-RSC- 24DC/ 1AU/SEN - 2966317



PLC-INTERFACE for input functions, consisting of PLC-BSC.../SEN basic terminal block with screw connection and plug-in miniature relay with multi-layer gold contact, for mounting on DIN rail NS 35/7,5, 1 N/O contact, input voltage 24 V DC

---

#### Relay Module - PLC-RSC-120UC/ 1AU/SEN - 2966320



PLC-INTERFACE for input functions, consisting of PLC-BSC.../SEN basic terminal block with screw connection and plug-in miniature relay with multi-layer gold contact, for mounting on DIN rail NS 35/7,5, 1 N/O contact, input voltage 120 V AC/110 V DC

---

#### Relay Module - PLC-RSC-230UC/ 1AU/SEN - 2966333



PLC-INTERFACE for input functions, consisting of PLC-BSC.../SEN basic terminal block with screw connection and plug-in miniature relay with multi-layer gold contact, for mounting on DIN rail NS 35/7,5, 1 N/O contact, input voltage 230 V AC/220 V DC

---

### Relay socket

#### Relay base - PLC-BSC- 5DC/ 1/SEN - 2980267



6.2 mm PLC basic terminal block for output functions with screw connection, without relay or solid-state relay, for mounting on DIN rail NS 35/7,5, with load return line connection (BB), 1 N/O contact, input voltage 5 V DC

---

#### Relay base - PLC-BPT- 24DC/21 - 2900445



6.2 mm PLC basic terminal block with push-in connection, without relay or solid-state relay, for mounting on DIN rail NS 35/7,5, 1 PDT, input voltage 24 V DC

## Extension module - PLC-V8C/PT-24DC/EM - 2905137

### Accessories

Relay base - PLC-BPT- 24DC/ 1/SEN - 2900262



6.2 mm PLC basic terminal block for input functions with push-in connection, without relay or solid-state relay, for mounting on DIN rail NS 35/7,5, with sensor supply voltage distribution (BB), 1 N/O contact, input voltage 24 V DC

Relay base - PLC-BSC- 24DC/21 - 2966016



6.2 mm PLC basic terminal block with screw connection, without relays or solid-state relay, for mounting on DIN rail NS 35/7,5, 1 PDT, input voltage 24 V DC

Relay base - PLC-BSC- 24DC/ 1/SEN - 2966061



6.2 mm PLC basic terminal block for input functions with screw connection, without relay or solid-state relay, for mounting on DIN rail NS 35/7,5, with sensor supply voltage distribution (BB), 1 N/O contact, input voltage 24 V DC

### Screwdriver tools

Screwdriver - SZS 0,4X2,5 VDE - 1205037



Screwdriver, slot-headed, VDE insulated, size: 0.4 x 2.5 x 80 mm, 2-component grip, with non-slip grip

### Solid-state relay module

Solid-state relay module - PLC-OPT- 24DC/ 48DC/100 - 2900352



PLC-INTERFACE, consisting of PLC-BPT.../21 basic terminal block with push-in connection and plug-in miniature solid-state relay, for mounting on DIN rail NS 35/7,5, 1 N/O contact, input: 24 V DC, output: 3 - 48 V DC/100 mA

## Extension module - PLC-V8C/PT-24DC/EM - 2905137

### Accessories

#### Solid-state relay module - PLC-OPT- 24DC/ 24DC/2 - 2900364



PLC-INTERFACE, consisting of PLC-BPT.../21 basic terminal block with push-in connection and plug-in miniature solid-state relay, for mounting on DIN rail NS 35/7,5, 1 N/O contact, input: 24 V DC, output: 3 - 33 V DC/3 A

---

#### Solid-state relay module - PLC-OPT- 24DC/230AC/1 - 2900369



PLC-INTERFACE, consisting of PLC-BPT.../21 basic terminal block with push-in connection and plug-in miniature solid-state relay, for mounting on DIN rail NS 35/7,5, 1 N/O contact, input: 24 V DC, output: 24 - 253 V AC/0.75 A

---

#### Solid-state relay module - PLC-OPT- 24DC/ 24DC/2/ACT - 2900376



PLC-INTERFACE for output functions, consisting of PLC-BPT.../ACT basic terminal block with push-in connection and plug-in miniature solid-state relay, for mounting on DIN rail NS 35/7,5, 1 N/O contact, input: 24 V DC, output: 3 - 33 V DC/3 A

---

#### Solid-state relay module - PLC-OPT- 24DC/300DC/1 - 2900383



PLC-INTERFACE, integrated solid-state relay, with push-in connection, for mounting on NS 35/7,5 DIN rails, input: 24 V DC, output: 12 - 300 V DC/1 A

---

#### Solid-state relay module - PLC-OPT- 24DC/ 24DC/10/R - 2900398



PLC-INTERFACE with confirmation contact, consisting of basic terminal block with push-in connection and integrated miniature solid-state relay, for mounting on DIN rail NS 35/7,5, 1 N/O contact, input: 24 V DC, output: 3 - 33 V DC/10 A

## Extension module - PLC-V8C/PT-24DC/EM - 2905137

### Accessories

#### Solid-state relay module - PLC-OPT- 24DC/ 48DC/500/W - 2900378



PLC-INTERFACE with electronic PDT contact, consisting of PLC-BPT.../21 basic terminal block with push-in connection and integrated miniature solid-state relay, for mounting on DIN rail NS 35/7,5, 1 PDT, input: 24 V DC, output: 3 - 48 V DC/500 mA

---

#### Solid-state relay module - PLC-OPT- 24DC/TTL - 2900363



PLC-INTERFACE for TTL signal, consisting of PLC-O.../TTL basic terminal block with push-in connection and integrated solid-state relay, for mounting on DIN rail NS 35/7,5, 1 N/O contact, input: 24 V DC, output: TTL (5 V DC)

---

#### Solid-state relay module - PLC-OSC- 24DC/ 48DC/100 - 2966728



PLC-INTERFACE, consisting of PLC-BSC.../21 basic terminal block with screw connection and plug-in miniature solid-state relay, for mounting on DIN rail NS 35/7,5, 1 N/O contact, input: 24 V DC, output: 3 - 48 V DC/100 mA

---

#### Solid-state relay module - PLC-OSC- 24DC/ 24DC/ 2 - 2966634



PLC-INTERFACE, consisting of PLC-BSC.../21 basic terminal block with screw connection and plug-in miniature solid-state relay, for mounting on DIN rail NS 35/7,5, 1 N/O contact, input: 24 V DC, output: 3 - 33 V DC/3 A

---

#### Solid-state relay module - PLC-OSC- 24DC/230AC/ 1 - 2967840



PLC-INTERFACE, consisting of PLC-BSC.../21 basic terminal block with screw connection and plug-in miniature solid-state relay, for mounting on DIN rail NS 35/7,5, 1 N/O contact, input: 24 V DC, output: 24 - 253 V AC/0.75 A

---

## Extension module - PLC-V8C/PT-24DC/EM - 2905137

### Accessories

Solid-state relay module - PLC-OSC- 24DC/ 24DC/ 2/ACT - 2966676



PLC-INTERFACE for output functions, consisting of PLC-BSC.../ACT basic terminal block with screw connection and plug-in miniature solid-state relay, for mounting on DIN rail NS 35/7,5, 1 N/O contact, input: 24 V DC, output: 3 - 33 V DC/3 A

---

Solid-state relay module - PLC-OSC- 24DC/230AC/ 1/ACT - 2967947



PLC-INTERFACE for output functions, consisting of PLC-BSC.../ACT basic terminal block with screw connection and plug-in miniature solid-state relay, for mounting on DIN rail NS 35/7,5, 1 N/O contact, input: 24 V DC, output: 24 ... 253 V AC/0.75 A

---

Solid-state relay module - PLC-OSC- 24DC/300DC/ 1 - 2980678



PLC-INTERFACE, integrated solid-state relay, with screw connection, for mounting on NS 35/7,5 DIN rails, input: 24 V DC, output: 12 - 300 V DC/1 A

---

Solid-state relay module - PLC-OSC- 24DC/ 24DC/ 10/R - 2982702



PLC solid state relay with screw connection and short-circuit-proof DC voltage output, input: 24 V DC, output: 3-33 V DC/10 A

---

Solid-state relay module - PLC-OSC- 24DC/ 48DC/500/W - 2980636



PLC electronic PDT, integrated optocoupler, with screw connection, for mounting on DIN rail NS 35/7.5, input: 24 V DC, output: 3 - 48 V DC/500 mA

---

## Extension module - PLC-V8C/PT-24DC/EM - 2905137

### Accessories

Solid-state relay module - PLC-OSC- 24DC/TTL - 2982728



PLC solid-state relay with screw connection, for mounting on DIN rail NS 35/7.5, input: 24 V DC, output: TTL (5 V DC)

---

Solid-state relay module - PLC-OPT-24DC/48DC/100/V8C/SEN - 2904693



PLC-INTERFACE for input functions with PLC logic, with push-in connection and plug-in miniature solid-state relay, for mounting on DIN rail NS 35/7.5, 1 N/O contact, input: 24 V DC, output: 3 - 48 V DC/100 mA

---

Solid-state relay module - PLC-OPT-120UC/48DC/100/V8C/SEN - 2904694



PLC-INTERFACE for input functions with PLC logic, with push-in connection and plug-in miniature solid-state relay, for mounting on DIN rail NS 35/7.5, 1 N/O contact, input: 120 V AC/110 V DC, output: 3 - 48 V DC/100 mA

---

Solid-state relay module - PLC-OPT-230UC/48DC/100/V8C/SEN - 2904695



PLC-INTERFACE for input functions with PLC logic, with push-in connection and plug-in miniature solid-state relay, for mounting on DIN rail NS 35/7.5, 1 N/O contact, input: 230 V AC/220 V DC, output: 3 - 48 V DC/100 mA

---

Solid-state relay module - PLC-OSC- 24DC/48DC/100/V8C/SEN - 2904690



PLC-INTERFACE for input functions with PLC logic, with screw connection and plug-in miniature solid-state relay, for mounting on DIN rail NS 35/7.5, 1 N/O contact, input: 24 V DC, output: 3 - 48 V DC/100 mA

---

## Extension module - PLC-V8C/PT-24DC/EM - 2905137

### Accessories

Solid-state relay module - PLC-OSC-120UC/48DC/100/V8C/SEN - 2904691



PLC-INTERFACE for input functions with PLC logic, with screw connection and plug-in miniature solid-state relay, for mounting on DIN rail NS 35/7,5, 1 N/O contact, input: 120 V AC/110 V DC, output: 3 - 48 V DC/100 mA

Solid-state relay module - PLC-OSC-230UC/48DC/100/V8C/SEN - 2904692



PLC-INTERFACE for input functions with PLC logic, with screw connection and plug-in miniature solid-state relay, for mounting on DIN rail NS 35/7,5, 1 N/O contact, input: 230 V AC/220 V DC, output: 3 - 48 V DC/100 mA

### Terminal marking

Zack marker strips off the roll, flat - ZBF 19,7:UNBEDRUCKT - 0810627



Zack marker strips off the roll, flat, Strip, white, unlabeled, can be labeled with: CMS-P1-PLOTTER, PLOTMARK, Mounting type: snap into flat marker groove, for terminal block width: 19.7 mm, Lettering field: 19.7 x 5.2 mm