

# Antenna - RAD-900-ANT-OMNI-2-N - 2904802

Please be informed that the data shown in this PDF Document is generated from our Online Catalog. Please find the complete data in the user's documentation. Our General Terms of Use for Downloads are valid (<http://phoenixcontact.com/download>)




Omnidirectional antenna, 868 MHz / 900 MHz, gain: 2 dBi, polarization: linear, opening angle: h/v 360°/50°, degree of protection: IP66, connection: N (female), for control cabinet mounting (optional wall mounting)

## Why buy this product

- For freely mobile applications
- For multipoint or mesh connections



## Key Commercial Data

Packing unit	1 STK
GTIN	 4 046356 916844
GTIN	4046356916844
Weight per Piece (excluding packing)	178.100 g
Weight per piece (including packing)	178.100 g
Custom tariff number	85177000
Country of origin	United States

## Technical data

### Dimensions

Height	84 mm
Diameter	36 mm

### Ambient conditions

Degree of protection	IP66
Ambient temperature (operation)	-40 °C ... 70 °C
Ambient temperature (storage/transport)	-40 °C ... 70 °C

### General

With connecting cable	No
Frequency range	900 MHz

# Antenna - RAD-900-ANT-OMNI-2-N - 2904802

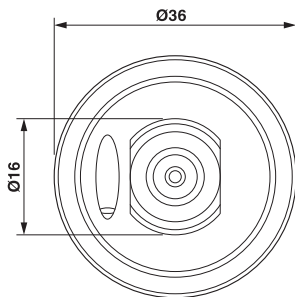
## Technical data

### General

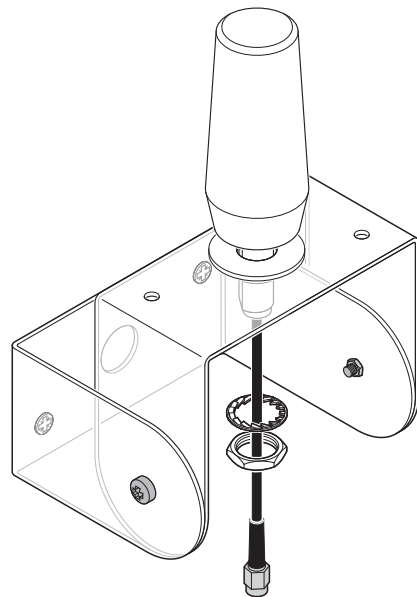
	868 MHz ... 960 MHz
Horizontal beamwidth	360 °
Vertical beamwidth	50 °
Polarization	Linear vertical
Impedance	50 Ω
Gain	2.15 dBi
Connection method	Type N (female)
Material	Xenoy 5720U-7014 (Antenna housing)
Mounting type	Control cabinet
Assembly instructions	Optional wall mounting

## Drawings

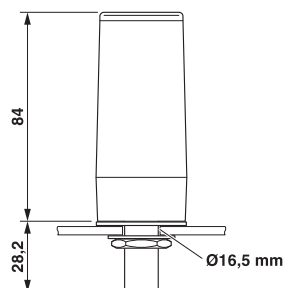
Dimensional drawing



Schematic diagram

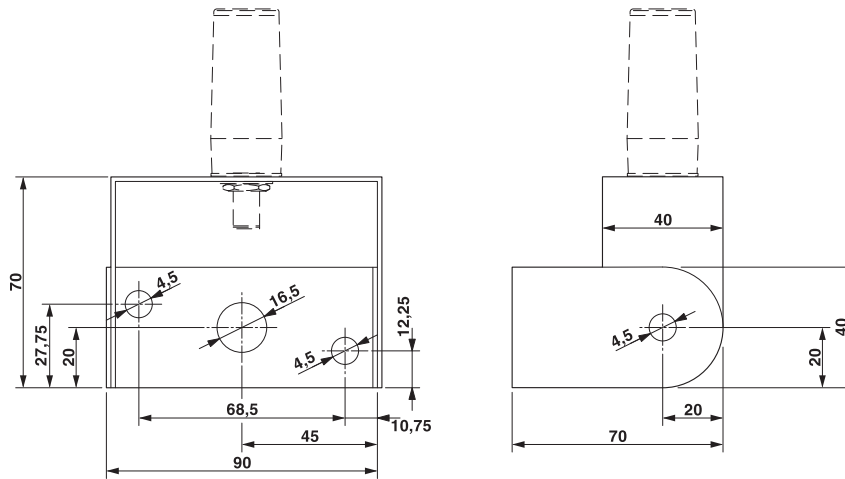


Schematic diagram



# Antenna - RAD-900-ANT-OMNI-2-N - 2904802

Dimensional drawing



## Classifications

eCl@ss

eCl@ss 4.1	27230207
eCl@ss 5.1	19070102
eCl@ss 6.0	27061805
eCl@ss 8.0	19070105
eCl@ss 9.0	19070105

ETIM

ETIM 4.0	EC000416
ETIM 5.0	EC001698
ETIM 6.0	EC001698

UNSPSC

UNSPSC 13.2	43221715
-------------	----------

## Accessories

Accessories

Mounting material

Mounting material - RAD-ANT-VAN-MKT - 2885870



Mounting material for wall mounting of OMNI omnidirectional antenna with protection against vandals

