

Y distributor - SAC-3P-M12Y/2XM 8FS - 1683471

Please be informed that the data shown in this PDF Document is generated from our Online Catalog. Please find the complete data in the user's documentation. Our General Terms of Use for Downloads are valid (<http://phoenixcontact.com/download>)



Y distributor, 4-position, unshielded, Plug straight M12, coding: A, on Socket straight M8, coding: A and Socket straight M8, coding: A

RoHS

Key Commercial Data

| | |
|--------------------------------------|---------------|
| Packing unit | 5 pc |
| GTIN | |
| GTIN | 4017918166939 |
| Weight per Piece (excluding packing) | 13.200 g |
| Weight per piece (including packing) | 13.220 g |
| Custom tariff number | 85366990 |
| Country of origin | Poland |
| Sales Key | 02 |

Technical data

Dimensions

| | |
|-----------------|-------|
| Center distance | 12 mm |
|-----------------|-------|

Ambient conditions

| | |
|---------------------------------|------------------|
| Ambient temperature (operation) | -25 °C ... 90 °C |
| Degree of protection | IP65 |
| | IP67 |

General

| | |
|-----------------------|--------------|
| Rated current at 40°C | 4 A |
| Rated voltage | 48 V AC |
| | 60 V DC |
| Number of positions | 4 |
| Insulation resistance | ≥ 100 MΩ |
| Coding | A - standard |

Y distributor - SAC-3P-M12Y/2XM 8FS - 1683471

Technical data

General

| | |
|-----------------------------|-------------------------------|
| Standards/regulations | M12 connector IEC 61076-2-101 |
| | M8 connector IEC 61076-2-104 |
| Status display | No |
| Overvoltage category | II |
| Degree of pollution | 3 |
| Insertion/withdrawal cycles | ≥ 100 |
| Torque | 0.4 Nm (M12 connector) |
| | 0.2 Nm (M8 connectors) |

Material

| | |
|--|---|
| Flammability rating according to UL 94 | HB |
| Contact material | CuZn |
| Contact surface material | Ni/Au |
| Contact carrier material | TPU GF |
| Material of grip body | TPU, hardly inflammable, self-extinguishing |
| Material, knurls | Zinc die-cast, nickel-plated |
| Sealing material | NBR |

Standards and Regulations

| | |
|--|-------------------------------|
| Standards/specifications | M12 connector IEC 61076-2-101 |
| | M8 connector IEC 61076-2-104 |
| Flammability rating according to UL 94 | HB |

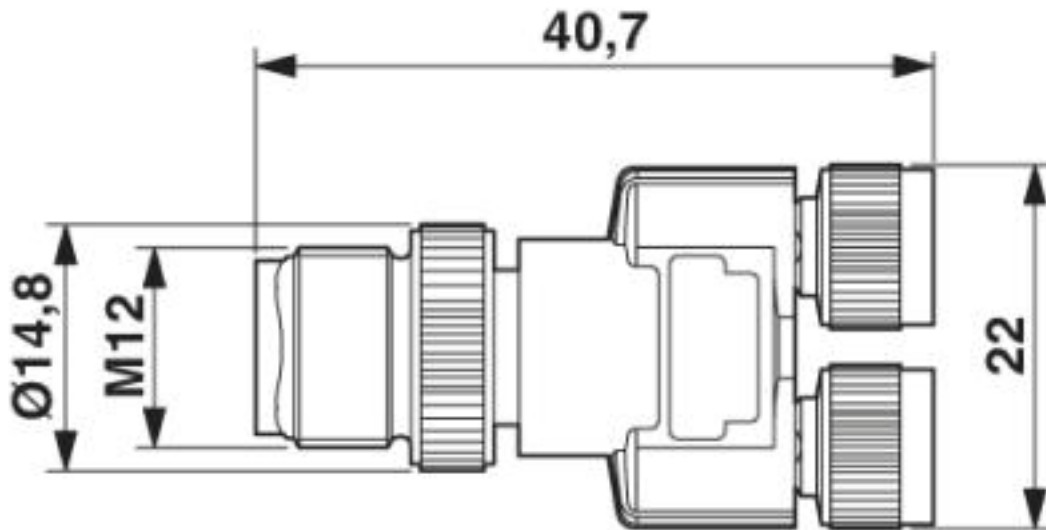
Environmental Product Compliance

| | |
|------------|---|
| China RoHS | Environmentally friendly use period: unlimited = EFUP-e |
| | No hazardous substances above threshold values |

Drawings

Y distributor - SAC-3P-M12Y/2XM 8FS - 1683471

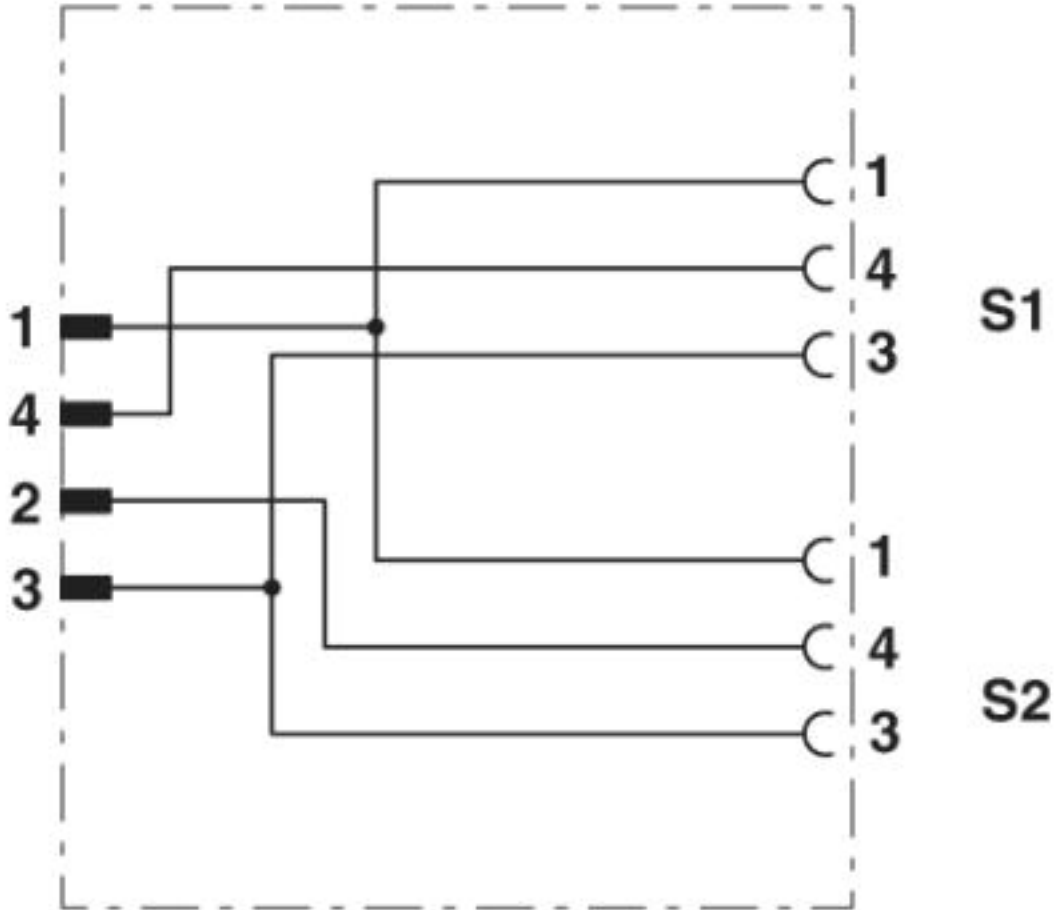
Dimensional drawing



M12 Y distributor

Y distributor - SAC-3P-M12Y/2XM 8FS - 1683471

Circuit diagram



Contact assignment of the M12/M8 Y distributor

Y distributor - SAC-3P-M12Y/2XM 8FS - 1683471

Schematic diagram



Pin assignment M12 plug, 4-pos., A-coded, view plug side

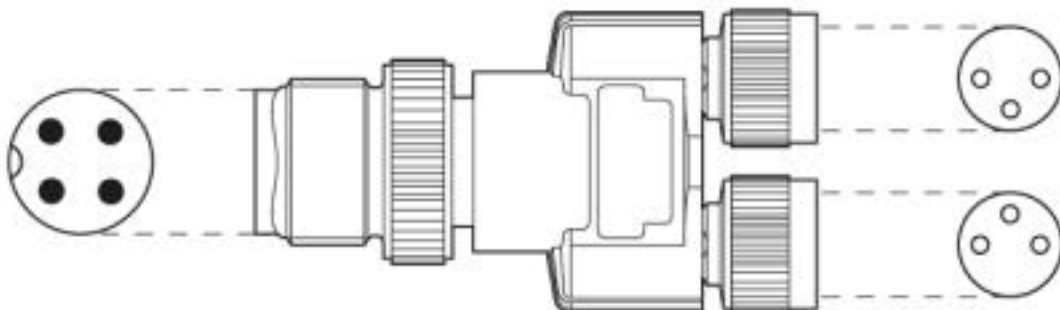
Y distributor - SAC-3P-M12Y/2XM 8FS - 1683471

Schematic diagram



Pin assignment M8 socket, 3-pos., view female side

Schematic diagram



Layout of connector pin assignments

Y distributor - SAC-3P-M12Y/2XM 8FS - 1683471

Classifications

eCl@ss

| | |
|------------|----------|
| eCl@ss 4.0 | 27060300 |
| eCl@ss 4.1 | 27060300 |
| eCl@ss 5.0 | 27061800 |
| eCl@ss 5.1 | 27061800 |
| eCl@ss 6.0 | 27279200 |
| eCl@ss 7.0 | 27440104 |
| eCl@ss 8.0 | 27440104 |
| eCl@ss 9.0 | 27440106 |

ETIM

| | |
|----------|----------|
| ETIM 2.0 | EC000830 |
| ETIM 3.0 | EC001855 |
| ETIM 4.0 | EC001855 |
| ETIM 5.0 | EC002062 |
| ETIM 6.0 | EC002925 |
| ETIM 7.0 | EC002925 |

UNSPSC

| | |
|---------------|----------|
| UNSPSC 6.01 | 31251501 |
| UNSPSC 7.0901 | 31251501 |
| UNSPSC 11 | 31251501 |
| UNSPSC 12.01 | 31251501 |
| UNSPSC 13.2 | 31251501 |
| UNSPSC 19.0 | 31251501 |
| UNSPSC 20.0 | 31251501 |
| UNSPSC 21.0 | 31251501 |

Approvals

Approvals

Approvals

UL Listed / cUL Listed / EAC / EAC / EAC / cULus Listed

Ex Approvals

Approval details

Y distributor - SAC-3P-M12Y/2XM 8FS - 1683471

Approvals

| | | | |
|--------------------|--|---|---------|
| UL Listed | | http://database.ul.com/cgi-bin/XYV/template/LISEXT/1FRAME/index.htm | E221474 |
| Nominal voltage UN | | 30 V | |
| Nominal current IN | | 4 A | |

| | | | |
|--------------------|--|---|---------|
| cUL Listed | | http://database.ul.com/cgi-bin/XYV/template/LISEXT/1FRAME/index.htm | E221474 |
| Nominal voltage UN | | 30 V | |
| Nominal current IN | | 4 A | |

| | | |
|-----|--|--------------------------|
| EAC | | RU C- DE.AI30.B.01102 |
|-----|--|--------------------------|

| | | |
|-----|--|---------------|
| EAC | | EAC-Zulassung |
|-----|--|---------------|

| | | |
|-----|--|--------------------------|
| EAC | | RU C- DE.BL08.B.00511 |
|-----|--|--------------------------|

| | |
|--------------|--|
| cULus Listed | |
|--------------|--|

Accessories

Accessories

Plug for cable screw gland

Screw plug - PROT-M8 - 1682540



An M8 screw plug for the unoccupied M8 sockets of the sensor/actuator cable, boxes and flush-type connectors

Y distributor - SAC-3P-M12Y/2XM 8FS - 1683471

Accessories

Protective cap

Sealing cap - PROT-M12 FS - 1560251



M12 sealing cap for unoccupied M12 plugs of the sensor/actuator cable, flush-type plugs and I/O devices in the field

Screwdriver tools

Tool - SAC BIT M12-D15 - 1208432



Nut for assembling sensor/actuator cables with M12 connector and M12 connectors for assembly, with a knurl diameter of 15 mm, for 4 mm hexagonal drive

Tool - SAC BIT M8-D10 - 1208461



Nut for assembling M8 connectors with longitudinal knurl and a knurl diameter of 10 mm, for 4 mm hexagonal drive

Torque tool

Torque screwdriver - TSD 04 SAC - 1208429



Torque screwdriver, with preset torque of 0.4 Nm and 4 mm hexagonal drive for M12 connectors

Torque screwdriver - TSD 02 SAC - 1208487



Torque screwdriver, with preset torque of 0.2 Nm and 4 mm hexagonal drive for M8 connectors
