

## Device connector, front mounting - M23-17S1N8AA600S - 1628493

Please be informed that the data shown in this PDF Document is generated from our Online Catalog. Please find the complete data in the user's documentation. Our General Terms of Use for Downloads are valid (<http://phoenixcontact.com/download>)



Device connector for front wall, M23 PRO, angled rotatable, for standard and ONECLICK fast locking system, M23, No. of pos.: 17, type of contact: Socket, Crimp connection, flange dimensions: 28 mm x 28 mm

### Your advantages

- Solutions with cross-manufacturer compatibility for standard and fast locking systems
- Modern, consistent design for highly convenient operation

### Key Commercial Data

|                                      |                                |
|--------------------------------------|--------------------------------|
| Packing unit                         | 1 pc                           |
| GTIN                                 |                                |
| GTIN                                 | 4055626621883                  |
| Weight per Piece (excluding packing) | 111.560 g                      |
| Weight per piece (including packing) | 117.300 g                      |
| Custom tariff number                 | 85366990                       |
| Country of origin                    | Germany                        |
| Note                                 | Made to Order (non-returnable) |

### Technical data

#### Temperature range

|                                 |                   |
|---------------------------------|-------------------|
| Ambient temperature (operation) | -40 °C ... 125 °C |
|---------------------------------|-------------------|

#### Data of the insulating body

|                           |   |
|---------------------------|---|
| Note                      | Order information: Order crimp contacts Ø 1 mm separately |
| Coding                    | N   |
| Insulator material        | PA 6.6  |
| Contact connection method | Crimp connection  |
| Type of contacts          | Socket  |
| Application               | Signal  |
| Number of positions       | 17  |

## Device connector, front mounting - M23-17S1N8AA600S - 1628493

### Technical data

#### Data of the insulating body

|   |                                   |
|---|-----------------------------------|
| Direction of rotation                           | Standard                          |
| Contact diameter of signal contacts             | 1 mm                              |
| Litz wire cross section of signal contacts min. | 0.08 mm <sup>2</sup>              |
| Litz wire cross section of signal contacts max. | 1 mm <sup>2</sup>                 |
| Nominal current per signal contact              | 8 A                               |
| Note  | for max. connection cross section |
| Rated voltage of signal contact                 | 125 V                             |
| Rated surge voltage                             | 1.5 kV                            |
| Overvoltage category                            | III                               |
| Degree of pollution                             | 3                                 |
| Note  | for max. connection cross section |

#### Housing data

|  |   |
|--|---|
| Housing material                       | GD-Zn   |
| Flange dimensions                      | 28 mm x 28 mm                                 |
| Type of locking                        | for standard and ONECLICK fast locking system |
| Degree of protection (when plugged in) | IP66 / IP68 (2 m / 24 h)                      |
| Thread type                            | M23   |

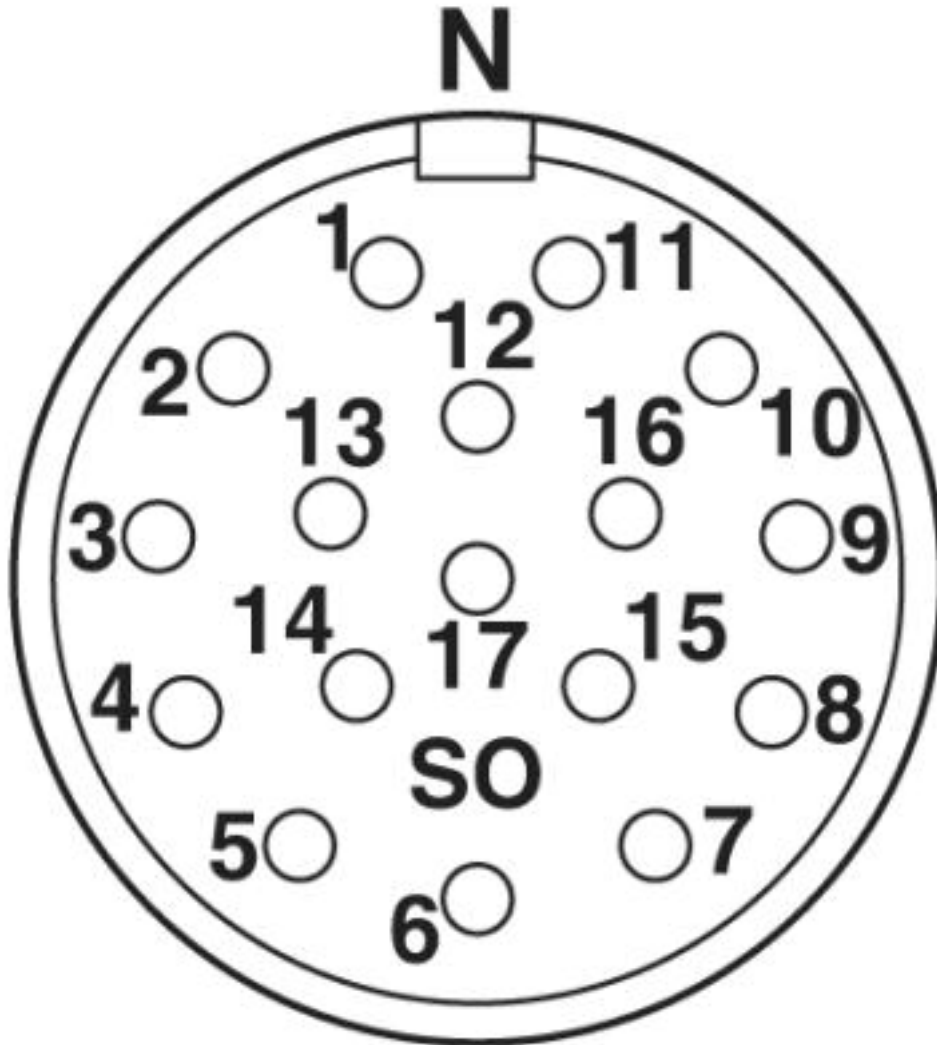
#### Environmental Product Compliance

|            |   |
|------------|---|
| China RoHS | Environmentally Friendly Use Period = 50 years  |
|            | For details about hazardous substances go to tab "Downloads", Category "Manufacturer's declaration" |

### Drawings

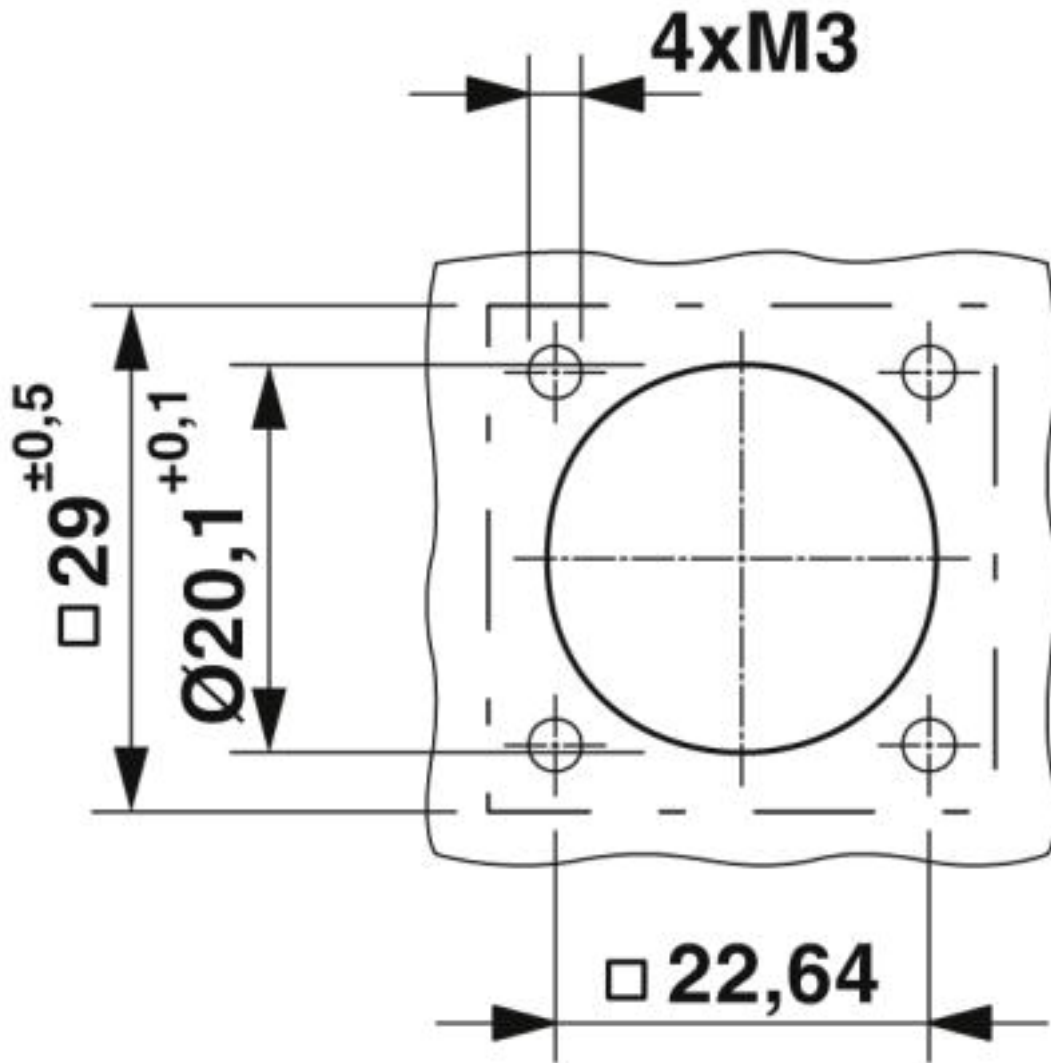
# Device connector, front mounting - M23-17S1N8AA600S - 1628493

Schematic diagram



# Device connector, front mounting - M23-17S1N8AA600S - 1628493

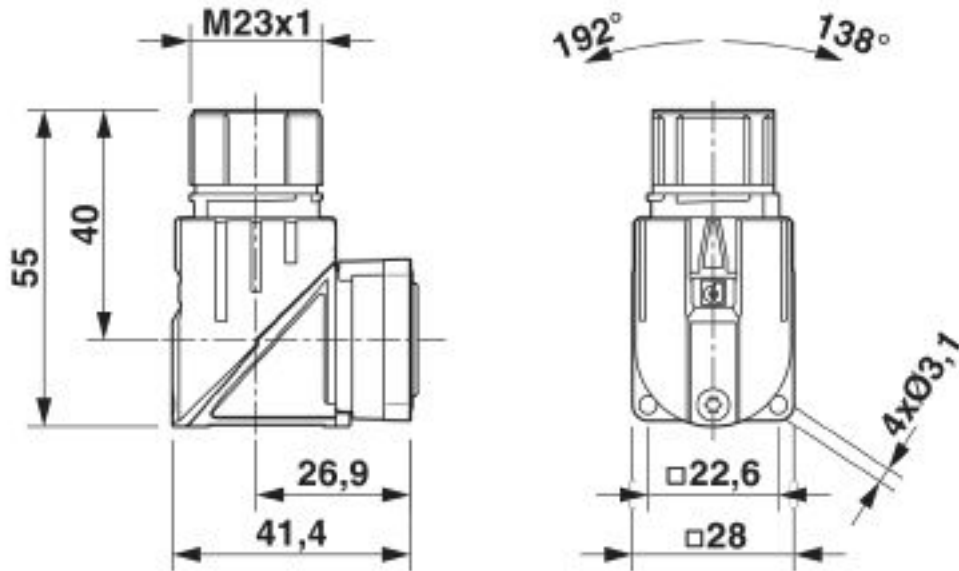
Dimensional drawing



Installation dimensions

# Device connector, front mounting - M23-17S1N8AA600S - 1628493

Dimensional drawing



## Classifications

### eCl@ss

|               |          |
|---------------|----------|
| eCl@ss 10.0.1 | 27440109 |
| eCl@ss 8.0    | 27440102 |
| eCl@ss 9.0    | 27440103 |

### ETIM

|          |          |
|----------|----------|
| ETIM 5.0 | EC002635 |
| ETIM 6.0 | EC002061 |

## Approvals

### Approvals

#### Approvals

UL Recognized / cUL Recognized / cULus Recognized

#### Ex Approvals

### Approval details

# Device connector, front mounting - M23-17S1N8AA600S - 1628493

## Approvals

|                            |  |  |
|----------------------------|--|--|
| UL Recognized              |  | <a href="http://database.ul.com/cgi-bin/XYV/template/LISEXT/1FRAME/index.htm">http://database.ul.com/cgi-bin/XYV/template/LISEXT/1FRAME/index.htm</a> E335019-20141210 |
| Nominal voltage UN         |  | 150 V  |
| Nominal current IN         |  | 4.5 A  |
| mm <sup>2</sup> /AWG/kcmil |  | 20   |

|                            |  |  |
|----------------------------|--|--|
| cUL Recognized             |  | <a href="http://database.ul.com/cgi-bin/XYV/template/LISEXT/1FRAME/index.htm">http://database.ul.com/cgi-bin/XYV/template/LISEXT/1FRAME/index.htm</a> E335019-20141210 |
| Nominal voltage UN         |  | 150 V  |
| Nominal current IN         |  | 3.5 A  |
| mm <sup>2</sup> /AWG/kcmil |  | 20   |

|                  |  |
|------------------|--|
| cULus Recognized |  |
|------------------|--|

## Accessories

### Accessories

#### Crimp contact

Crimp contact - RC-12S2000 - 1599600



Crimp contact, turned, Single contact, contact diameter: 1 mm, crimp range: 0.14 mm<sup>2</sup> ... 0.56 mm<sup>2</sup>

Crimp contact - RC-11S2000 - 1596772



Crimp contact, turned, Single contact, contact diameter: 1 mm, crimp range: 0.08 mm<sup>2</sup> ... 0.22 mm<sup>2</sup>

## Device connector, front mounting - M23-17S1N8AA600S - 1628493

### Accessories

Crimp contact - RC-1KS2000 - 1602998



Crimp contact, turned, Single contact, contact diameter: 1 mm, crimp range: 0.5 mm<sup>2</sup> ... 1 mm<sup>2</sup>

---

Crimp contact - RC-22S2000 - 1603327



Crimp contact, rolled, Single contact, contact diameter: 1 mm, crimp range: 0.22 mm<sup>2</sup> ... 0.56 mm<sup>2</sup>

---

Crimp contact - RC-22S2300 - 1603330



Crimp contact, rolled, Taped articles, number of pieces per reel: 500, contact diameter: 1 mm, crimp range: 0.22 mm<sup>2</sup> ... 0.56 mm<sup>2</sup>

---

Crimp contact - RC-22S2400 - 1603332



Crimp contact, rolled, number of pieces per reel: 10000, contact diameter: 1 mm, crimp range: 0.22 mm<sup>2</sup> ... 0.56 mm<sup>2</sup>

---

### Mounting material

Screw - M23-Z0001 - 1035117



Anchor screw, self-tapping, for M23-PRO series angled device connectors

---

### Protective cover

## Device connector, front mounting - M23-17S1N8AA600S - 1628493

### Accessories

Protective cap - RC-Z2059 - 1604225



Plastic protection cap for connectors with M23 external thread

---

Metal protective cap - RC-Z2104 - 1604260



Metal protection cap for signal connectors with M23 external thread

---

---