

Flush-type connector - SACC-E-M5MS-4CON-M5/0,5 - 1530595

Please be informed that the data shown in this PDF Document is generated from our Online Catalog. Please find the complete data in the user's documentation. Our General Terms of Use for Downloads are valid (<http://phoenixcontact.com/download>)




Flush-type connector, 4-position, Plug, straight, M5, Front mounting, M5 x 0.5, Individual wires, cable length: 0.5 m, 0.14 mm², TPE litz wire

Your advantages

- Pre-assembled with litz wires for immediate use
- Customer-specific assemblies and litz wire lengths available
- Sealed on the litz wire side for optimum leak-tightness



Key Commercial Data

Packing unit	1 pc
GTIN	 4 046356 024396
GTIN	4046356024396
Weight per Piece (excluding packing)	7.900 g
Weight per piece (including packing)	7.900 g
Custom tariff number	85444290
Country of origin	Germany
Note	Made to Order (non-returnable)

Technical data

Dimensions

Length of cable	0.5 m
-----------------	-------

Ambient conditions

Ambient temperature (operation)	-25 °C ... 85 °C (Plug)
Degree of protection	IP67

General

Rated current at 40°C	1 A
Rated voltage	48 V AC

Flush-type connector - SACC-E-M5MS-4CON-M5/0,5 - 1530595

Technical data

General

	60 V DC
Number of positions	4
Insulation resistance	≥ 100 MΩ
Coding	A - standard
Standards/regulations	M5 connector IEC 61076-2-105
Status display	No
Overvoltage category	II
Degree of pollution	3
Test voltage	800 V
Connection method	Individual wires
Mounting type	Front mounting M5 x 0.5

Material

Flammability rating according to UL 94	HB
Contact material	CuZn
Contact surface material	Au
Contact carrier material	PA 6.6
Material, knurls	Nickel-plated brass
Sealing material	Viton

Cable

Cable type	TPE litz wire
Conductor cross section	0.14 mm ²
AWG signal line	26
Conductor structure signal line	18x 0.10 mm
Wire colors	brown, white, blue, black
Material conductor insulation	TPE
Standards/specifications	M5 connector IEC 61076-2-105
Ambient temperature (operation)	-25 °C ... 80 °C

Standards and Regulations

Standards/specifications	M5 connector IEC 61076-2-105
Flammability rating according to UL 94	HB

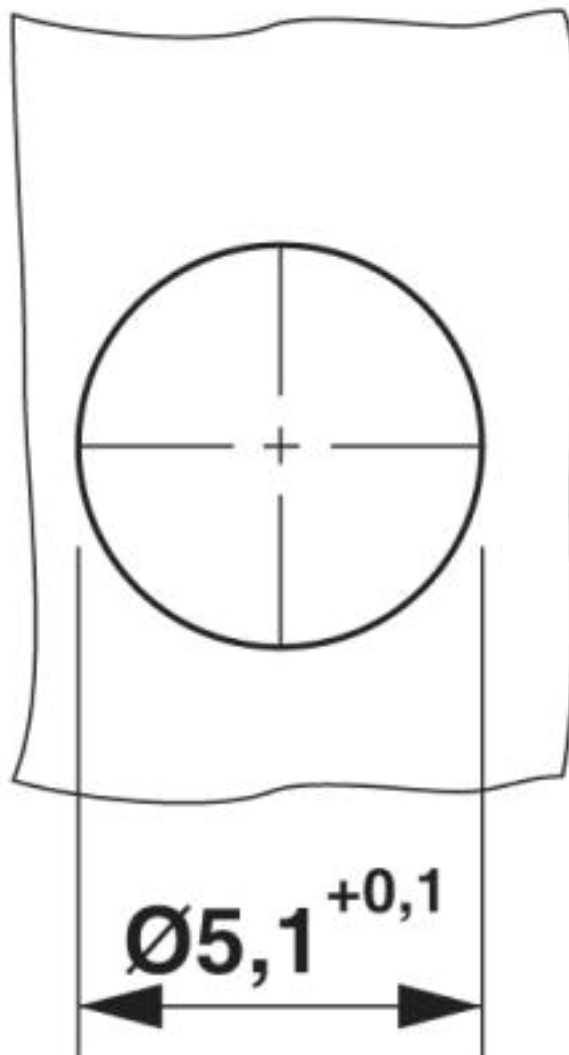
Environmental Product Compliance

REACH SVHC	Lead 7439-92-1
China RoHS	Environmentally Friendly Use Period = 25;
	For details about hazardous substances go to tab "Downloads", Category "Manufacturer's declaration"

Drawings

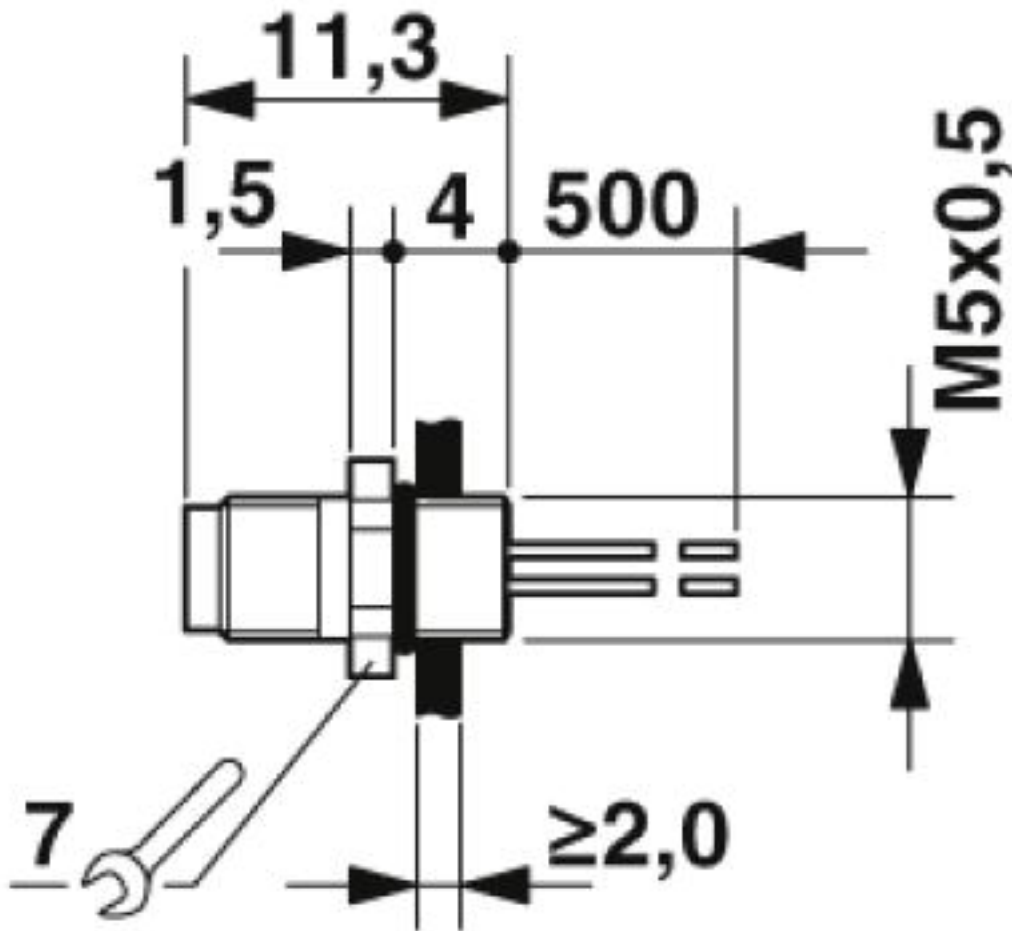
Flush-type connector - SACC-E-M5MS-4CON-M5/0,5 - 1530595

Dimensional drawing



Flush-type connector - SACC-E-M5MS-4CON-M5/0,5 - 1530595

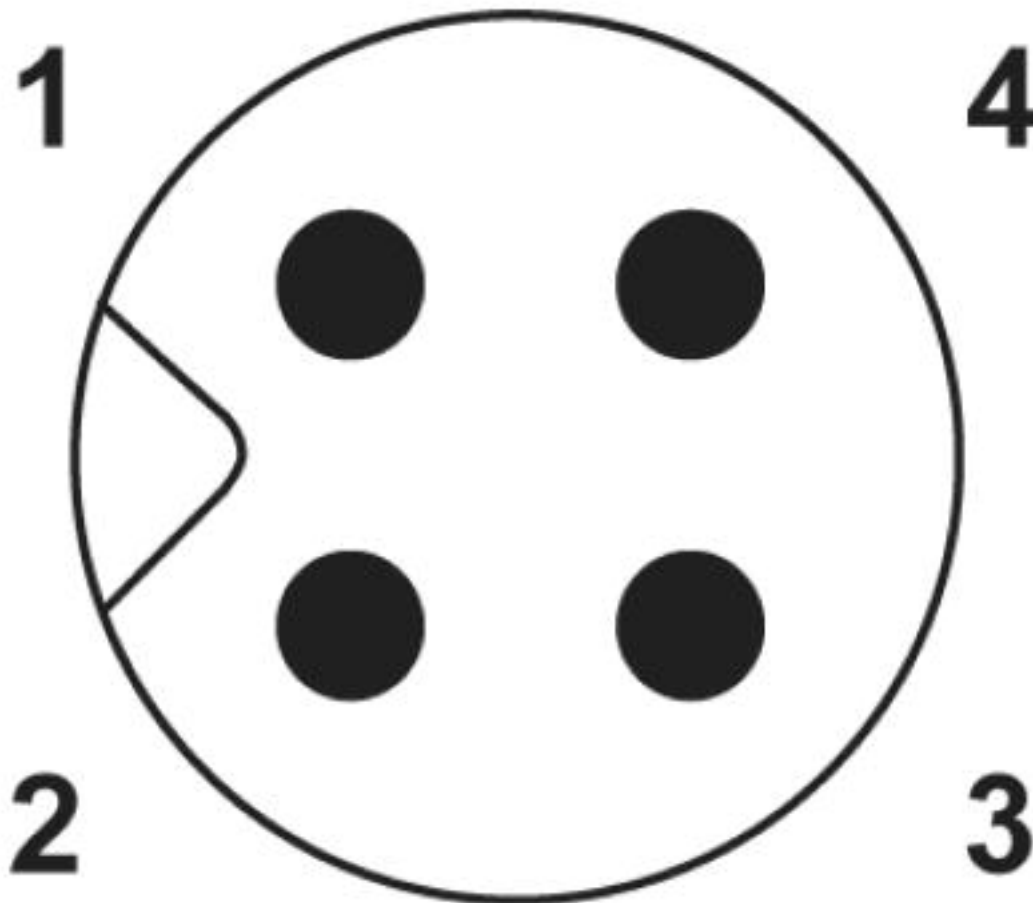
Dimensional drawing



M5 flush-type plug

Flush-type connector - SACC-E-M5MS-4CON-M5/0,5 - 1530595

Schematic diagram



Pin assignment M5 plug, 4-pos., view plug side

Classifications

eCl@ss

eCl@ss 10.0.1	27440102
eCl@ss 4.0	27140800
eCl@ss 4.1	27140800
eCl@ss 5.0	27143400
eCl@ss 5.1	27143400
eCl@ss 6.0	27279200
eCl@ss 7.0	27440103
eCl@ss 8.0	27440103
eCl@ss 9.0	27440102

ETIM

ETIM 2.0	EC001297
----------	----------

Flush-type connector - SACC-E-M5MS-4CON-M5/0,5 - 1530595

Classifications

ETIM

ETIM 3.0	EC002061
ETIM 4.0	EC002062
ETIM 5.0	EC002061
ETIM 6.0	EC002061

UNSPSC

UNSPSC 6.01	31251501
UNSPSC 7.0901	31251501
UNSPSC 11	31251501
UNSPSC 12.01	31251501
UNSPSC 13.2	39121413
UNSPSC 18.0	39121413
UNSPSC 19.0	39121413
UNSPSC 20.0	39121413
UNSPSC 21.0	39121413

Approvals

Approvals

Approvals

EAC

Ex Approvals

Approval details

EAC		B.01687
-----	--	---------

Accessories

Accessories

Flat nut - SACC-E-MU-M 5 - 1535901



Flat nut with M5 thread

Flush-type connector - SACC-E-M5MS-4CON-M5/0,5 - 1530595

Accessories

Phoenix Contact 2020 © - all rights reserved
<http://www.phoenixcontact.com>