

# Sensor/actuator cable - SAC-3P-M8Y/2X0,6-PUR/M 8FR - 1458716


Please be informed that the data shown in this PDF Document is generated from our Online Catalog. Please find the complete data in the user's documentation. Our General Terms of Use for Downloads are valid (<http://phoenixcontact.com/download>)



Sensor/actuator cable, 3-position, PUR halogen-free, black-gray RAL 7021, Plug straight M8, on Socket angled M8 and Socket angled M8, cable length: 0.6 m



## Key Commercial Data

|                                      |   |
|--------------------------------------|---|
| Packing unit                         | 1 pc  |
| GTIN                                 | <br>4 046356 638067 |
| GTIN                                 | 4046356638067   |
| Weight per Piece (excluding packing) | 44.000 g  |
| Weight per piece (including packing) | 44.000 g  |
| Custom tariff number                 | 85444290  |
| Country of origin                    | Germany   |
| Note                                 | Made to Order (non-returnable)  |

## Technical data

### Dimensions

|                 |       |
|-----------------|-------|
| Length of cable | 0.6 m |
|-----------------|-------|

### Ambient conditions

|                                 |                                  |
|---------------------------------|----------------------------------|
| Ambient temperature (operation) | -25 °C ... 90 °C (Plug / socket) |
| Degree of protection            | IP65                             |
|                                 | IP67                             |
|                                 | IP68                             |

### General

|                       |          |
|-----------------------|----------|
| Rated current at 40°C | 4 A      |
| Rated voltage         | 48 V AC  |
|                       | 60 V DC  |
| Number of positions   | 3        |
| Insulation resistance | ≥ 100 MΩ |

# Sensor/actuator cable - SAC-3P-M8Y/2X0,6-PUR/M 8FR - 1458716

## Technical data

### General

|                       |                              |
|-----------------------|------------------------------|
| Coding                | A - standard                 |
| Standards/regulations | M8 connector IEC 61076-2-104 |
| Status display        | No                           |
| Overvoltage category  | II                           |
| Degree of pollution   | 3                            |
| Torque                | 0.2 Nm (M8 knurl)            |

### Material

|  |   |
|--|---|
| Flammability rating according to UL 94 | HB  |
| Contact material                       | CuSn  |
| Contact surface material               | Ni/Au                                       |
| Contact carrier material               | TPU GF                                      |
| Material of grip body                  | TPU, hardly inflammable, self-extinguishing |
| Material, knurls                       | Zinc die-cast, nickel-plated                |
| Sealing material                       | NBR   |

### Standards and Regulations

|  |                              |
|--|------------------------------|
| Standards/specifications               | M8 connector IEC 61076-2-104 |
| Flammability rating according to UL 94 | HB                           |

### Cable

|   |                             |
|---|-----------------------------|
| Cable type                                    | PUR halogen-free black      |
| Cable type (abbreviation)                     | PUR                         |
| Cable abbreviation                            | Li9Y11Y-HF                  |
| UL AWM style                                  | 20549 / 10493 (80°C/300 V)  |
| Conductor cross section                       | 3x 0.25 mm <sup>2</sup>     |
| AWG signal line                               | 24                          |
| Conductor structure signal line               | 32x 0.10 mm                 |
| Core diameter including insulation            | 1.17 mm ±0.02 mm            |
| Thickness, insulation                         | ≥ 0.21 mm (Core insulation) |
| Wire colors                                   | brown, blue, black          |
| Overall twist                                 | 3 wires, twisted            |
| Length of twist, overall twist                | 40 mm                       |
| External sheath, color                        | black-gray RAL 7021         |
| Outer sheath thickness                        | approx. 0.5 mm              |
| External cable diameter D                     | 3.6 mm ±0.15 mm             |
| Smallest bending radius, fixed installation   | 18 mm                       |
| Smallest bending radius, movable installation | 36 mm                       |
| Number of bending cycles                      | 10000000                    |
| Bending radius                                | 44 mm                       |
| Traversing path                               | 10 m                        |
| Traversing rate                               | 3 m/s                       |

## Sensor/actuator cable - SAC-3P-M8Y/2X0,6-PUR/M 8FR - 1458716

### Technical data

#### Cable

|                                 |   |
|---------------------------------|---|
| Acceleration                    | 10 m/s <sup>2</sup>   |
| Cable weight                    | 18 kg/km  |
| Outer sheath, material          | PUR   |
| Material conductor insulation   | PP  |
| Conductor material              | Bare Cu litz wires  |
| Insulation resistance           | ≥ 100 GΩ*km (at 20 °C)  |
| Conductor resistance            | ≤ 78 Ω/km (at 20 °C)  |
| Nominal voltage, cable          | ≤ 300 V   |
| Test voltage, cable             | ≥ 3000 V  |
| Special properties              | Flexible cable conduit capable                                      |
|                                 | Silicone-free   |
|                                 | Free of substances which would hinder coating with paint or varnish |
| Flame resistance                | in accordance with UL 758/1581 FT2                                  |
|                                 | DIN EN 60332-2-2 (20 s)   |
| Halogen-free                    | in accordance with DIN VDE 0472 part 815                            |
| Resistance to oil               | in accordance with DIN EN 60811-2-1                                 |
| Other resistance                | hydrolysis and microbe resistant                                    |
|                                 | Highly resistant to acids, alkaline solutions and solvents          |
|                                 | Resistant to salt water   |
|                                 | partly UV-resistant in accordance with DIN EN ISO 4892-2-A          |
| Ambient temperature (operation) | -40 °C ... 80 °C (cable, fixed installation)                        |
|                                 | -25 °C ... 80 °C (cable, flexible installation)                     |

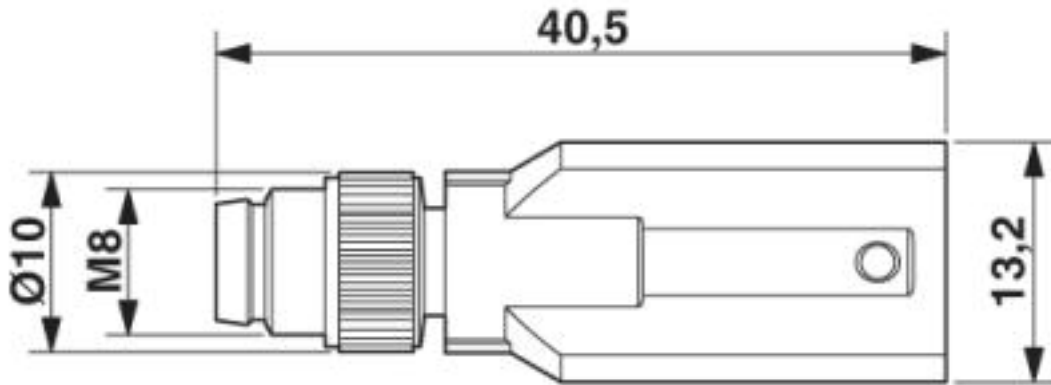
#### Environmental Product Compliance

|            |   |
|------------|---|
| REACH SVHC | Lead 7439-92-1  |
| China RoHS | Environmentally Friendly Use Period = 50 years  |
|            | For details about hazardous substances go to tab "Downloads", Category "Manufacturer's declaration" |

#### Drawings

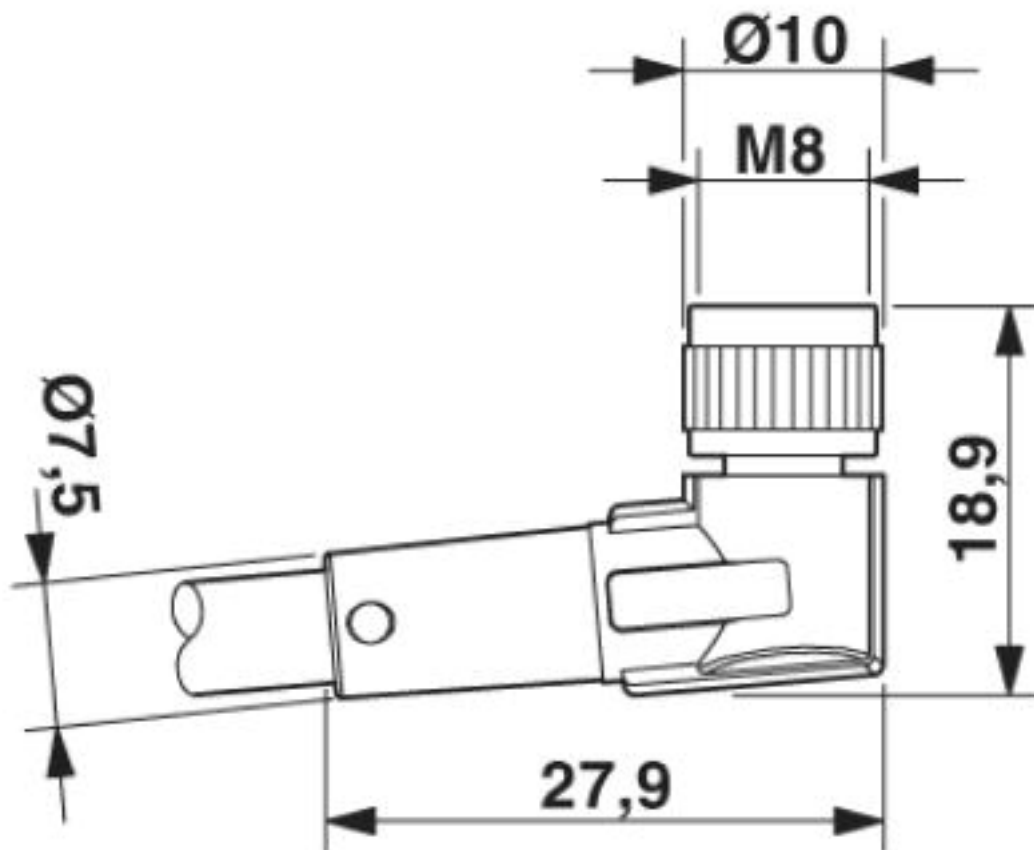
# Sensor/actuator cable - SAC-3P-M8Y/2X0,6-PUR/M 8FR - 1458716

Dimensional drawing



Plug M8 x 1, Y-distributor

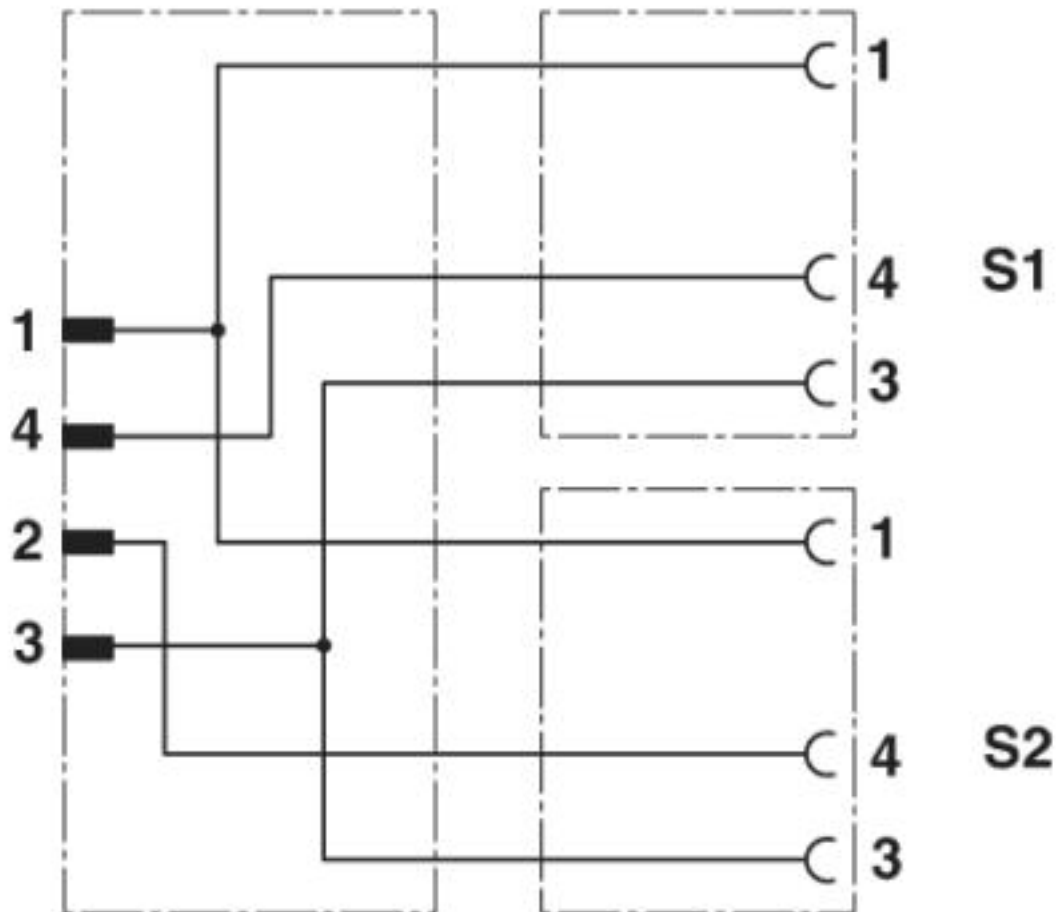
Dimensional drawing



Socket M8 x 1, angled

# Sensor/actuator cable - SAC-3P-M8Y/2X0,6-PUR/M 8FR - 1458716

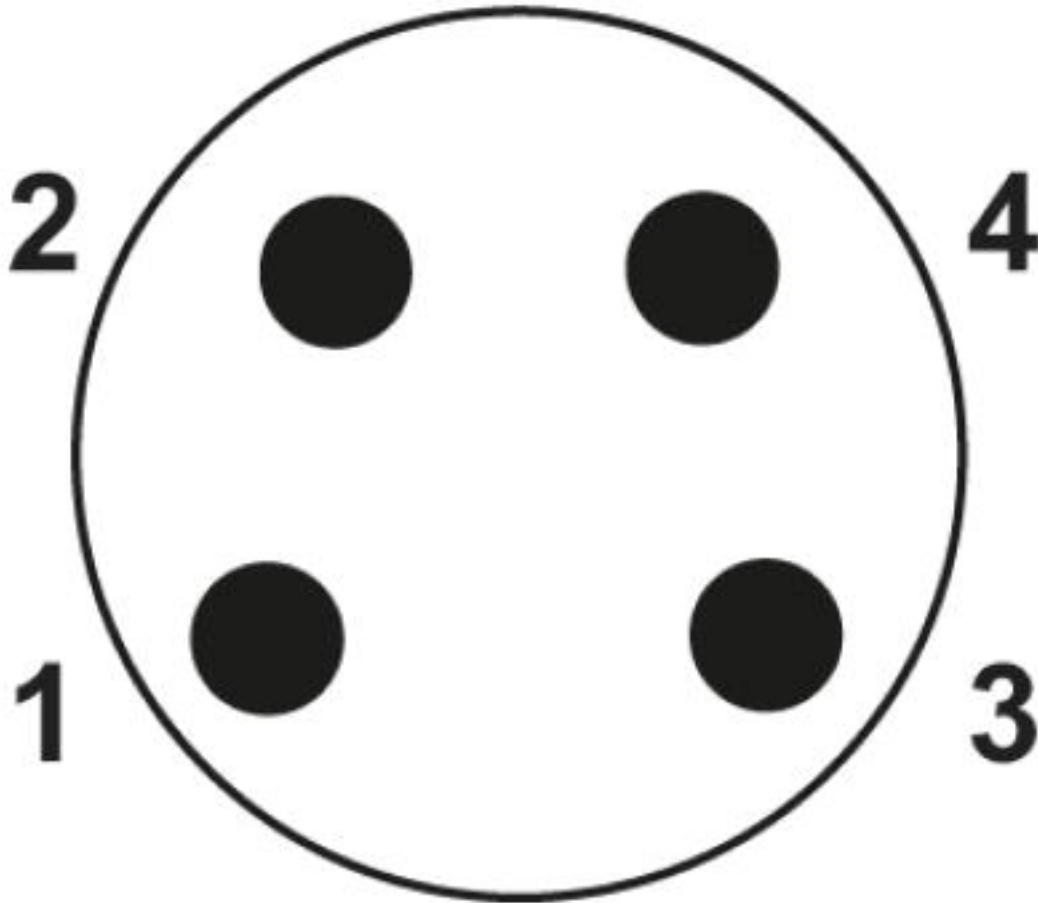
Circuit diagram



Contact assignment of the M8 plug and the M8 socket

## Sensor/actuator cable - SAC-3P-M8Y/2X0,6-PUR/M 8FR - 1458716

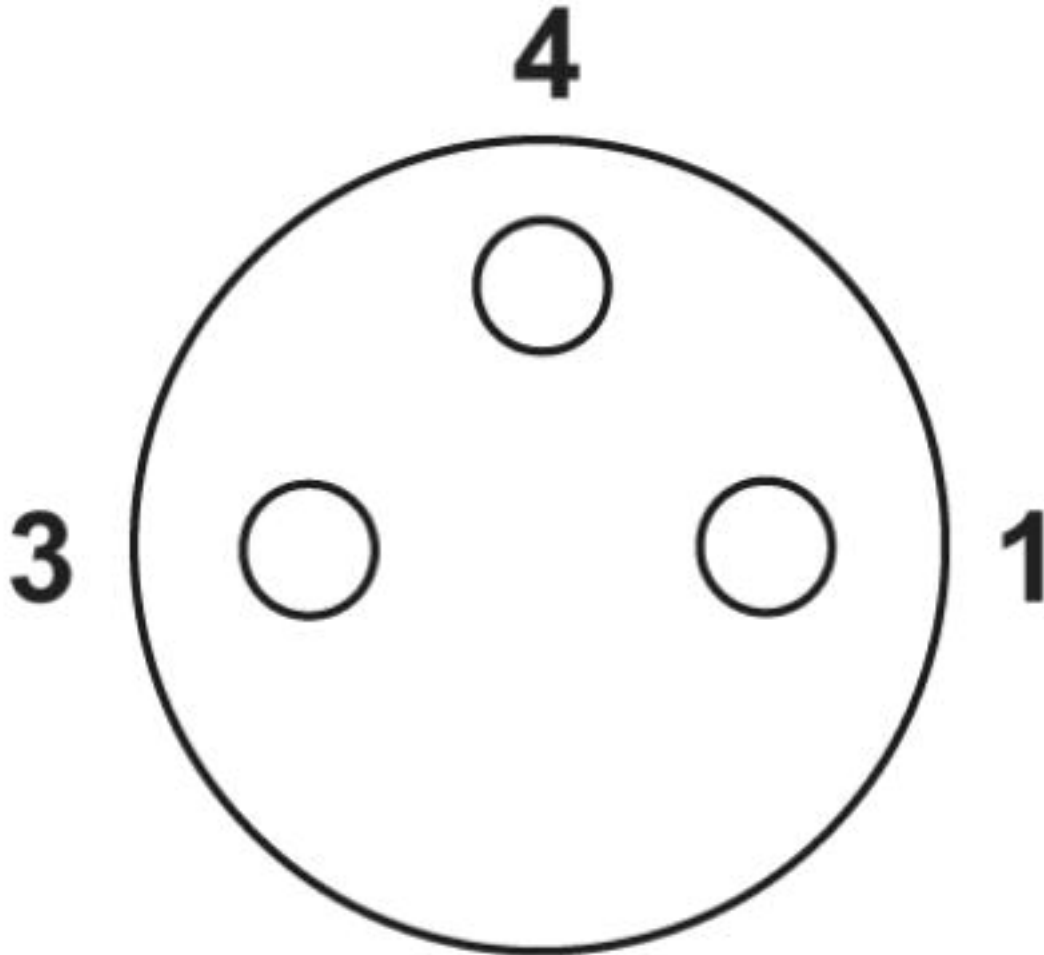
Schematic diagram



Pin assignment M8 plug, 4-pos., view male side

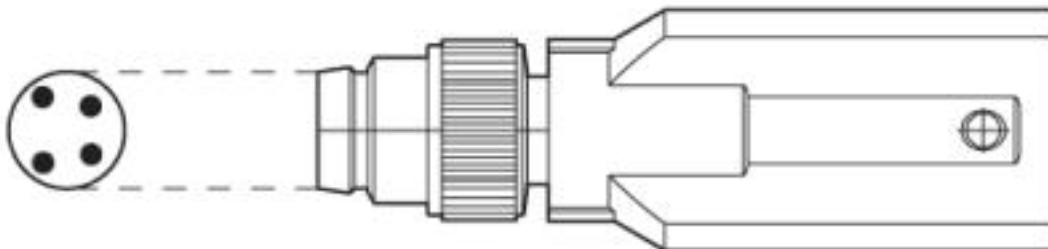
# Sensor/actuator cable - SAC-3P-M8Y/2X0,6-PUR/M 8FR - 1458716

Schematic diagram



Pin assignment M8 socket, 3-pos., view female side

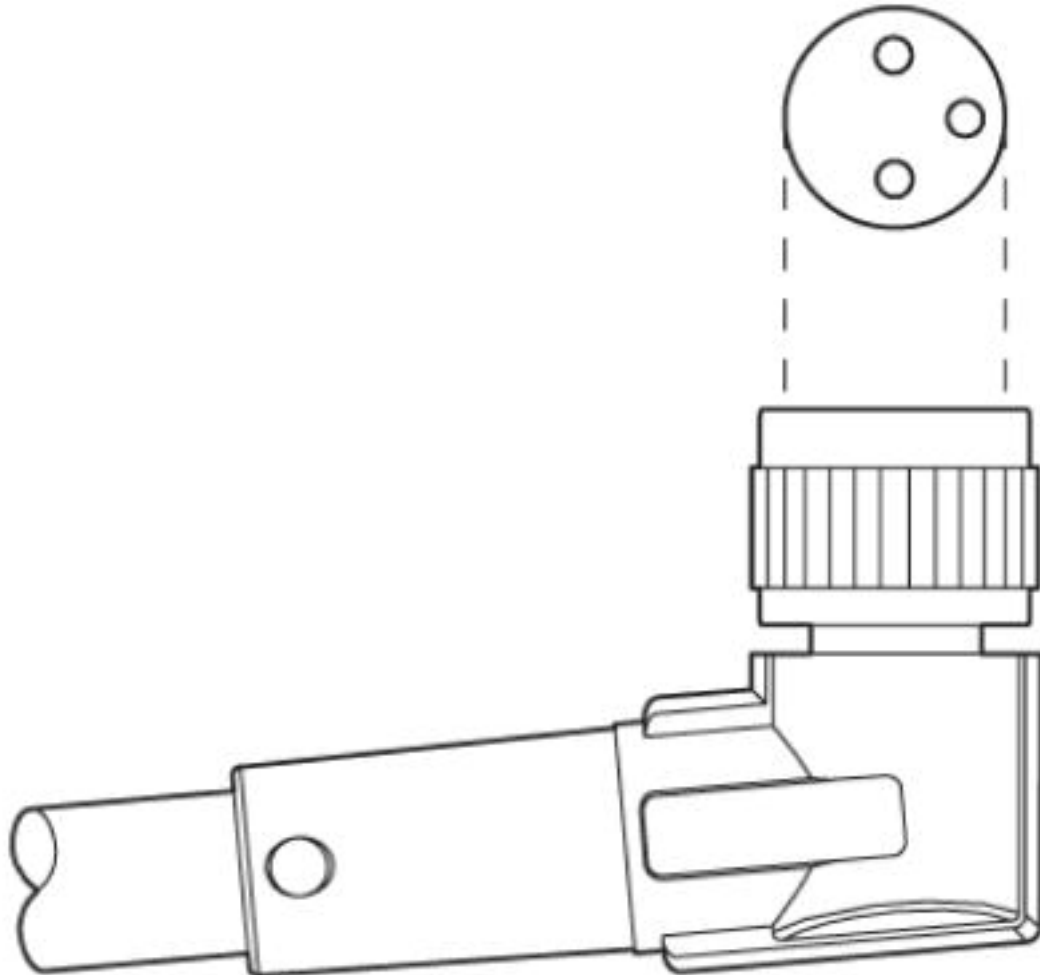
Schematic diagram



Alignment of the connector pin assignment

# Sensor/actuator cable - SAC-3P-M8Y/2X0,6-PUR/M 8FR - 1458716

Schematic diagram

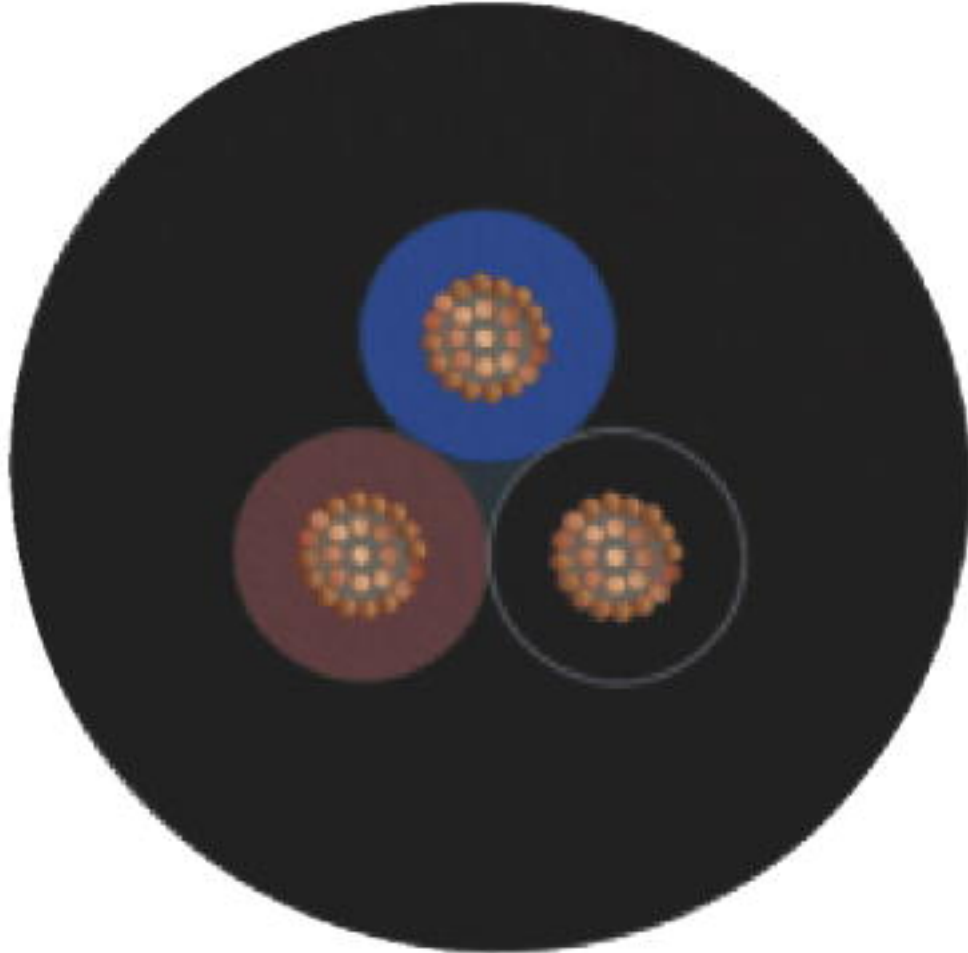


Alignment of the connector pin assignment



## Sensor/actuator cable - SAC-3P-M8Y/2X0,6-PUR/M 8FR - 1458716

Cable cross section



PUR halogen-free black [PUR]

### Classifications

eCl@ss

|            |          |
|------------|----------|
| eCl@ss 4.0 | 27060300 |
| eCl@ss 4.1 | 27060300 |
| eCl@ss 5.0 | 27061800 |
| eCl@ss 5.1 | 27061800 |
| eCl@ss 6.0 | 27279200 |
| eCl@ss 7.0 | 27279218 |
| eCl@ss 8.0 | 27279218 |
| eCl@ss 9.0 | 27060311 |

# Sensor/actuator cable - SAC-3P-M8Y/2X0,6-PUR/M 8FR - 1458716

## Classifications

### ETIM

|          |          |
|----------|----------|
| ETIM 4.0 | EC001855 |
| ETIM 5.0 | EC001855 |
| ETIM 6.0 | EC001855 |
| ETIM 7.0 | EC001855 |

### UNSPSC

|               |          |
|---------------|----------|
| UNSPSC 6.01   | 31251501 |
| UNSPSC 7.0901 | 31251501 |
| UNSPSC 11     | 31251501 |
| UNSPSC 12.01  | 31251501 |
| UNSPSC 13.2   | 31251501 |
| UNSPSC 19.0   | 31251501 |
| UNSPSC 20.0   | 31251501 |
| UNSPSC 21.0   | 31251501 |

## Approvals


### Approvals


#### Approvals

UL Listed / cUL Listed / cULus Listed

#### Ex Approvals

### Approval details

|                    |   |   |               |
|--------------------|---|---|---------------|
| UL Listed          |  | <a href="http://database.ul.com/cgi-bin/XYV/template/LISEXT/1FRAME/index.htm">http://database.ul.com/cgi-bin/XYV/template/LISEXT/1FRAME/index.htm</a> | FILE E 221474 |
| Nominal voltage UN |   | 60 V  |               |
| Nominal current IN |   | 4 A   |               |

|                    |   |   |               |
|--------------------|---|---|---------------|
| cUL Listed         |  | <a href="http://database.ul.com/cgi-bin/XYV/template/LISEXT/1FRAME/index.htm">http://database.ul.com/cgi-bin/XYV/template/LISEXT/1FRAME/index.htm</a> | FILE E 221474 |
| Nominal voltage UN |   | 60 V  |               |
| Nominal current IN |   | 4 A   |               |

## Sensor/actuator cable - SAC-3P-M8Y/2X0,6-PUR/M 8FR - 1458716

### Approvals

cULus Listed



### Accessories

#### Accessories

#### Conductor marking

Insert label - PABA WH/15 - 1013151



Insert label, Strip, white, unlabeled, can be labeled with: CMS-P1-PLOTTER, mounting type: thread on, cable diameter range: 0.6 ... 50 mm, lettering field size: 15 x 4 mm, Number of individual labels: 20

Insert label - PABA YE/15 - 1013698



Insert label, Strip, yellow, unlabeled, can be labeled with: CMS-P1-PLOTTER, mounting type: thread on, cable diameter range: 0.6 ... 50 mm, lettering field size: 15 x 4 mm, Number of individual labels: 20

Insert label - PABA RD/15 - 1013944



Insert label, Strip, red, unlabeled, can be labeled with: CMS-P1-PLOTTER, mounting type: thread on, cable diameter range: 0.6 ... 50 mm, lettering field size: 15 x 4 mm, Number of individual labels: 20

#### Labeled conductor marker

Cable marker - PABA WH/15 CUS - 0824444



Cable marker, can be ordered: Strip, white, labeled according to customer specifications, mounting type: thread on, cable diameter range: 0.6 ... 50 mm, lettering field size: 15 x 4 mm

## Sensor/actuator cable - SAC-3P-M8Y/2X0,6-PUR/M 8FR - 1458716

### Accessories

Cable marker - PABA YE/15 CUS - 0824447



Cable marker, can be ordered: Strip, yellow, labeled according to customer specifications, mounting type: thread on, cable diameter range: 0.6 ... 50 mm, lettering field size: 15 x 4 mm

Cable marker - PABA RD/15 CUS - 0824442



Cable marker, can be ordered: Strip, red, labeled according to customer specifications, mounting type: thread on, cable diameter range: 0.6 ... 50 mm, lettering field size: 15 x 4 mm

Cable marker - PABA BU/15 CUS - 0824441



Cable marker, can be ordered: Strip, blue, labeled according to customer specifications, mounting type: thread on, cable diameter range: 0.6 ... 50 mm, lettering field size: 15 x 4 mm

### Plug for cable screw gland

Screw plug - PROT-M8 - 1682540



An M8 screw plug for the unoccupied M8 sockets of the sensor/actuator cable, boxes and flush-type connectors

### Screwdriver tools

Tool - SAC BIT M8-D10 - 1208461



Nut for assembling M8 connectors with longitudinal knurl and a knurl diameter of 10 mm, for 4 mm hexagonal drive

### Torque tool

## Sensor/actuator cable - SAC-3P-M8Y/2X0,6-PUR/M 8FR - 1458716

### Accessories

Torque screwdriver - TSD 02 SAC - 1208487



Torque screwdriver, with preset torque of 0.2 Nm and 4 mm hexagonal drive for M8 connectors

---

Phoenix Contact 2020 © - all rights reserved  
<http://www.phoenixcontact.com>