

Cable feed-through plates - MH-10CL-MULTI-55-PV-BK - 1424584

Please be informed that the data shown in this PDF Document is generated from our Online Catalog. Please find the complete data in the user's documentation. Our General Terms of Use for Downloads are valid (<http://phoenixcontact.com/download>)



Cable feed-through plates, no. of conductors: 10, length: 154 mm, width: 56 mm, height: 20 mm, external cable diameter: 6x 2 mm ... 8 mm , color: black

Why buy this product

- The panel cutouts of size B24 heavy-duty connectors can be used.



Key Commercial Data

Packing unit	1 STK
GTIN	 4 055626 374871
GTIN	4055626374871
Weight per Piece (excluding packing)	88.300 g
Weight per piece (including packing)	88.300 g
Custom tariff number	39269097
Country of origin	Finland

Technical data

Dimensions

Length	154 mm
Width	56 mm
Height	20 mm
Drill hole distance, horizontal	130 mm
Drill hole distance, vertical	32 mm
External cable diameter	6x 2 mm ... 8 mm
	2x 2 mm ... 18 mm
	2x 2 mm ... 30 mm

Ambient conditions

Degree of protection	IP54
Ambient temperature (operation)	-40 °C ... 90 °C

Cable feed-through plates - MH-10CL-MULTI-55-PV-BK - 1424584

Technical data

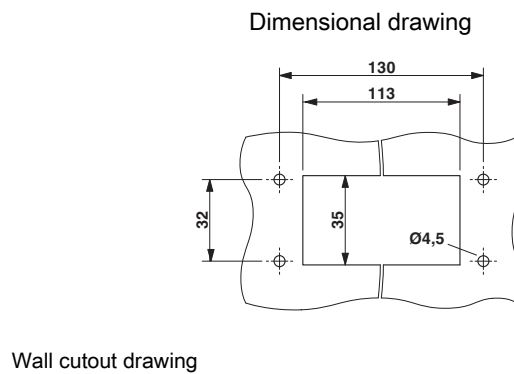
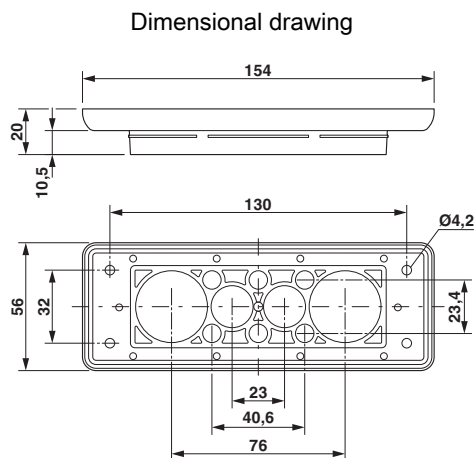
General

No. of conductors	10
Material	TPE-SEBS
	PP (Core)
	TPE-SEBS (external material)
Flammability rating according to UL 94	V0
Color	black
Note	incl. mounting screws
Installation instructions	M4 mounting screw, torque: 1.8 Nm, SW5 Allen key
	The mounting screws provided are to be used for assembly. Assembly sequence: 1) Attach the cable feed-through (Multigate) using the mounting screws provided (observe torque) 2) Pierce a hole in the membrane (using a screwdriver) 3) Guide the cable through the opening (from the outside)

Standards and Regulations

Flammability rating according to UL 94	V0
--	----

Drawings



Dimensional drawing

Classifications

eCl@ss

eCl@ss 5.1	23110102
eCl@ss 6.0	23110102
eCl@ss 8.0	27409208
eCl@ss 9.0	27400569

Cable feed-through plates - MH-10CL-MULTI-55-PV-BK - 1424584

Classifications

ETIM

ETIM 5.0	EC001004
----------	----------

Approvals

Approvals

Approvals

EAC

Ex Approvals

Approval details

EAC		EAC-Zulassung
-----	---	---------------
