

# Cable feed-through plates - MC-25/27-MULTI-67-PV-LG - 1415236

Please be informed that the data shown in this PDF Document is generated from our Online Catalog. Please find the complete data in the user's documentation. Our General Terms of Use for Downloads are valid (<http://phoenixcontact.com/download>)



Cable feed-through plates, no. of conductors: 27, length: 222 mm, width: 92 mm, height: 29.5 mm, external cable diameter: 13x 10 mm ... 14 mm , color: gray



## Key Commercial Data

Packing unit	1 STK
GTIN	 4 055626 039428
GTIN	4055626039428
Weight per Piece (excluding packing)	225.100 g
Weight per piece (including packing)	283.500 g
Custom tariff number	39269097
Country of origin	Finland

## Technical data

### Dimensions

Length	222 mm
Width	92 mm
Height	29.5 mm
Drill hole distance, horizontal	62 mm
Drill hole distance, vertical	194 mm
External cable diameter	13x 10 mm ... 14 mm
	4x 8 mm ... 12 mm
	2x 20 mm ... 26 mm
	4x 5 mm ... 7 mm
	4x 8 mm ... 12 mm

### Ambient conditions

Degree of protection	IP66 (Minimum sheet thickness >= 2.5 mm)
	IP67 (Minimum sheet thickness >= 2.5 mm)

# Cable feed-through plates - MC-25/27-MULTI-67-PV-LG - 1415236

## Technical data

### Ambient conditions

Ambient temperature (operation)	-40 °C ... 100 °C
---------------------------------	-------------------

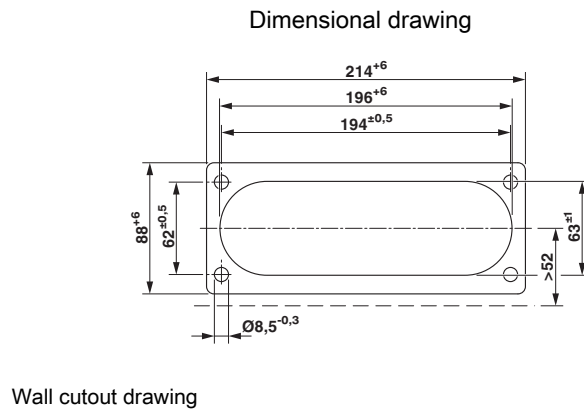
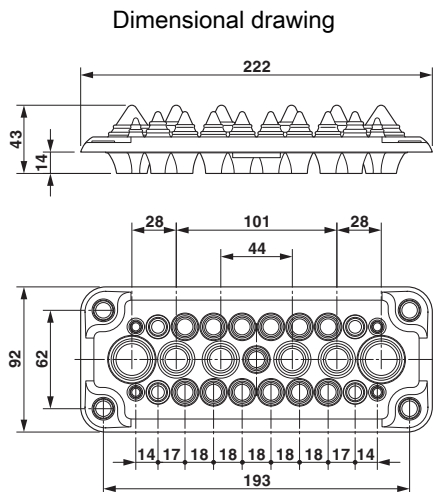
### General

No. of conductors	27
Material	TPE-SEBS
	galvanized sheet steel ( )
Flammability rating according to UL 94	V0
Color	light gray
Torque	1.5 Nm ... 2 Nm (Mounting screws)
Note	incl. mounting screws
Installation instructions	M8 mounting screw, torque: 1.5 - 2.0 Nm, SW5 Allen key
	<p>The mounting screws included should be used for assembly.</p> <p>Assembly steps:</p> <ol style="list-style-type: none"> <li>1) Fix Multigates with the mounting screws provided (observe torque)</li> <li>2) Make a hole in the membrane (with a screwdriver) or cut off the tip of the cone</li> <li>3) Guide the cable through the opening (from the outside). Withdraw the cable approximately 20 mm (to improve strain relief).</li> </ol>

### Standards and Regulations

Flammability rating according to UL 94	V0
--	----

## Drawings



Dimensional drawing

## Classifications

eCl@ss

eCl@ss 5.1	23110102
------------	----------

## Cable feed-through plates - MC-25/27-MULTI-67-PV-LG - 1415236

### Classifications

#### eCl@ss

eCl@ss 6.0	23110102
eCl@ss 8.0	27409208
eCl@ss 9.0	27400569

#### ETIM

ETIM 5.0	EC001004
----------	----------