

Sensor/actuator connector - SACC-MS-8QO-0,5 SH SCO - 1414610

Please be informed that the data shown in this PDF Document is generated from our Online Catalog. Please find the complete data in the user's documentation. Our General Terms of Use for Downloads are valid (<http://phoenixcontact.com/download>)



Sensor/actuator connector, Universal, 8-position, halogen-free, shielded, Plug straight M12 SPEEDCON, Coding: A, Insulation displacement connection, knurl material: Zinc die-cast, nickel-plated, external cable diameter 5 mm ... 9.7 mm

Your advantages

- Safe use in the field, thanks to a high degree of protection
- Flexible: connectors for on-site assembly
- Save time, thanks to installation with SPEEDCON fast locking system
- Reliable signal transmission - 360° shielding in environments with electromagnetic interference

Key Commercial Data

| | |
|--------------------------------------|---|
| Packing unit | 1 pc |
| GTIN |  4 055626 029573 |
| GTIN | 4055626029573 |
| Weight per Piece (excluding packing) | 40.650 g |
| Weight per piece (including packing) | 41.500 g |
| Custom tariff number | 85366990 |
| Country of origin | Germany |

Technical data

Dimensions

| | |
|--------------------------------|-----------------|
| Wrench size, union nut | 15 mm |
| Diameter housing | 19 mm |
| Length | 58 mm |
| External cable diameter | 5 mm ... 9.7 mm |
| Stripping length of the sheath | ≥ 80 mm |

Ambient conditions

| | |
|--------------------------------|-----------------|
| Ambient temperature (assembly) | -5 °C ... 50 °C |
| Degree of protection | IP65 |

Sensor/actuator connector - SACC-MS-8QO-0,5 SH SCO - 1414610

Technical data

Ambient conditions

| | |
|--|------|
| | IP67 |
|--|------|

General

| | |
|---|---|
| Note | NOTE: Observe the permissible bending radii when laying conductors, since the degree of protection may be put in jeopardy if the bending forces are too high. Alleviate mechanical loads upstream of the connector, e.g. by using cable ties. |
| Rated current at 40°C | 2 A |
| Rated voltage | 30 V AC |
| | 30 V DC |
| Number of positions | 8 |
| Insulation resistance | ≥ 100 MΩ |
| Coding | A - standard |
| Standards/regulations | M12 connector according to IEC 61076-2-101 |
| Signal type/category | Universal |
| Status display | No |
| Overvoltage category | III |
| Degree of pollution | 3 |
| Connection method | Insulation displacement connection |
| Conductor cross section | 0.14 mm ² ... 0.5 mm ² (flexible) |
| | 0.14 mm ² ... 0.5 mm ² (solid) |
| Conductor cross section AWG | 26 ... 20 (flexible) |
| | 26 ... 20 (solid) |
| Wire diameter including insulation | 0.75 mm ... 2 mm |
| Frequency of connections between conductors of the same cross section | 10 |
| Wire insulation material | PVC / PE / PP / rubber |
| Structure of individual litz in acc. with VDE 0295 / smallest wire diameter | Class 2-6 |
| Insertion/withdrawal cycles | ≥ 100 |
| Torque | 5 Nm (Pressure nut) |

Material

| | |
|--|--|
| Flammability rating according to UL 94 | V0 |
| Contact material | CuSn |
| Contact surface material | Ni/Au |
| Contact carrier material | PA 6.6 |
| Material of grip body | Zinc die-cast, nickel-plated |
| Material, knurls | Zinc die-cast, nickel-plated |
| Sealing material | NBR |
| Standards/regulations | PA 6.6: Fire protection in rail vehicles - requirement sets R22, R23, R24, and R26 acc. to DIN EN 45545-2 (Risk level HL1 - HL3) |

Standards and Regulations

| | |
|--------------------------|--|
| Standards/specifications | M12 connector according to IEC 61076-2-101 |
|--------------------------|--|

Sensor/actuator connector - SACC-MS-8QO-0,5 SH SCO - 1414610

Technical data

Standards and Regulations

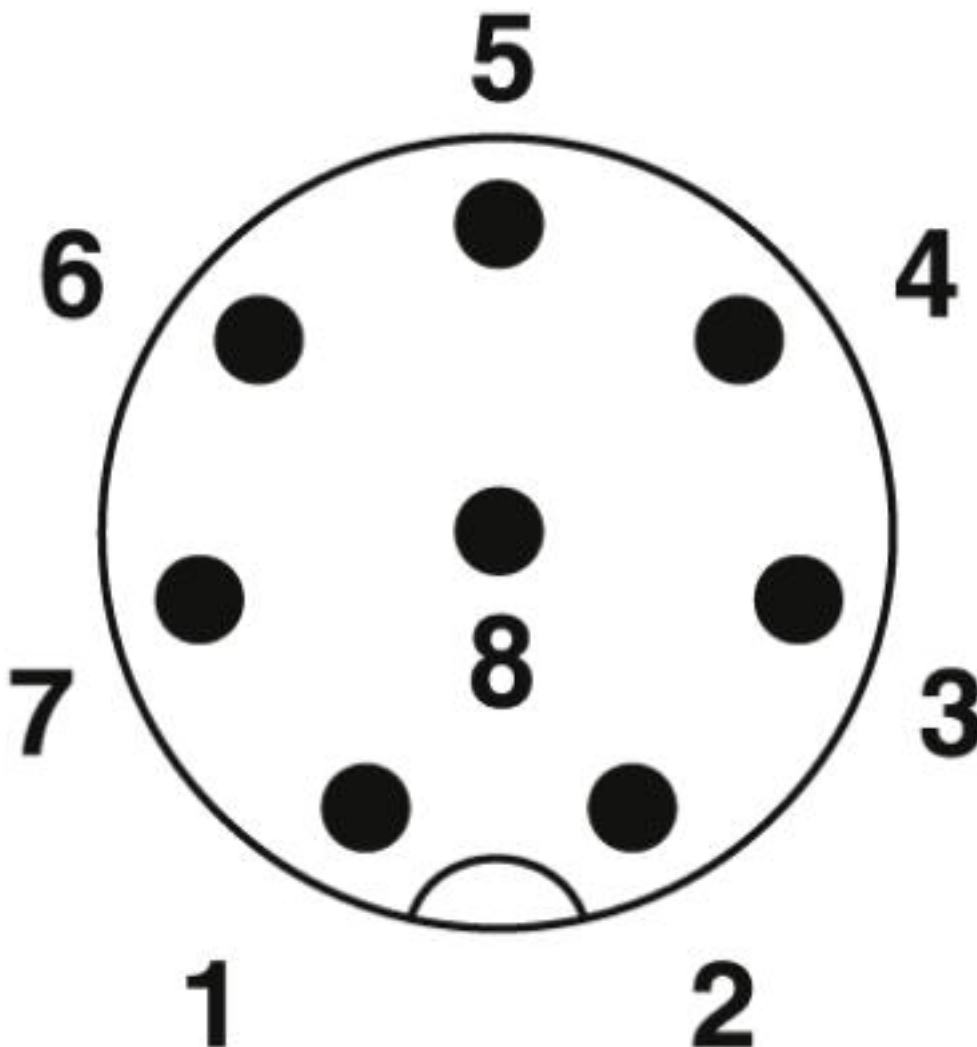
| | |
|--|----|
| Flammability rating according to UL 94 | V0 |
|--|----|

Environmental Product Compliance

| | |
|------------|---|
| China RoHS | Environmentally friendly use period: unlimited = EFUP-e |
| | No hazardous substances above threshold values |

Drawings

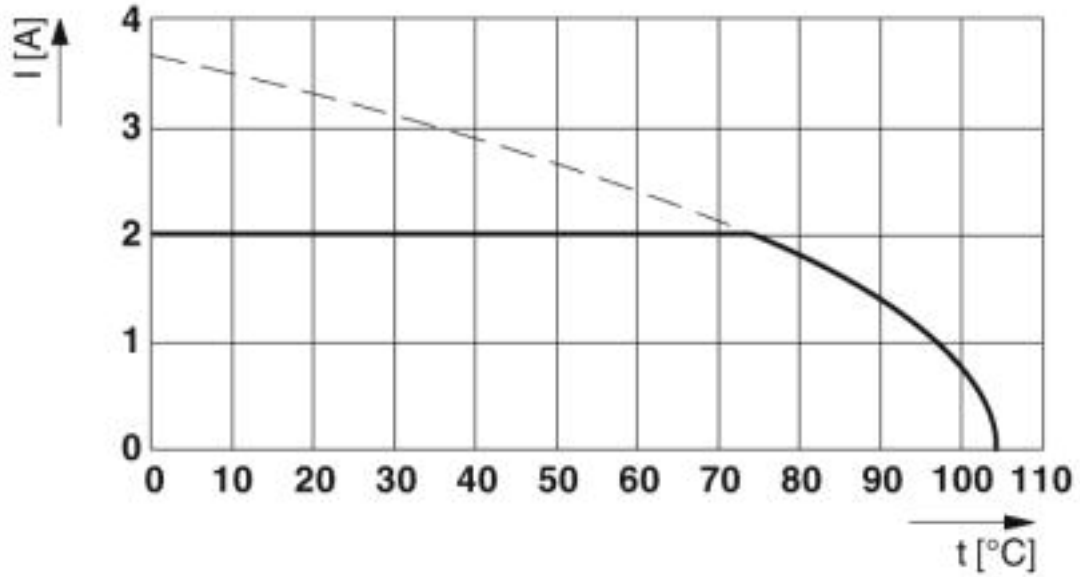
Schematic diagram



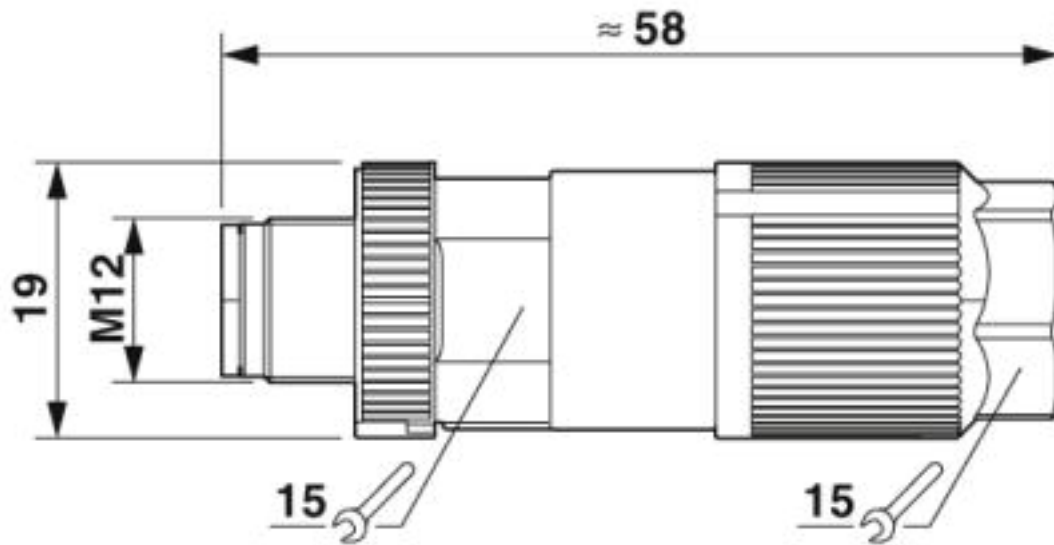
Pin assignment of M12 plug, 8-pos., A-coded, view of plug side

Sensor/actuator connector - SACC-MS-8QO-0,5 SH SCO - 1414610

Diagram



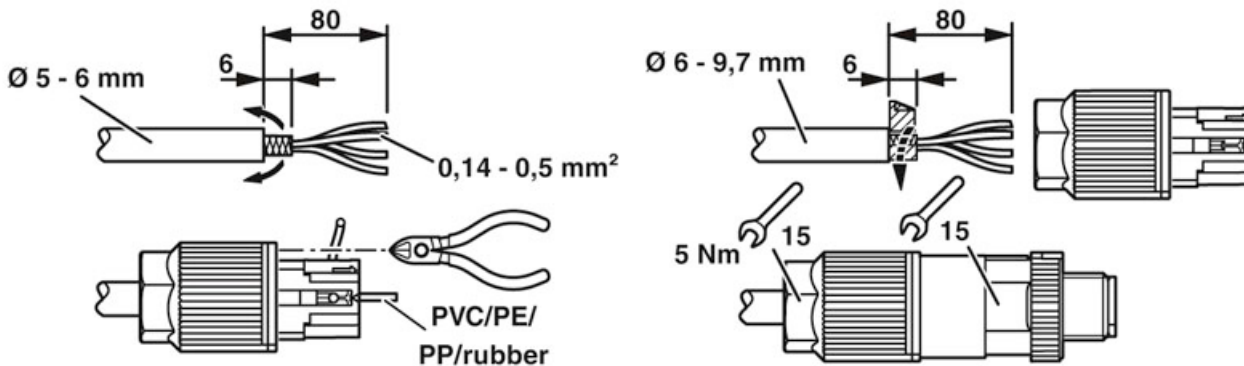
Dimensional drawing



Plug, M12 x 1, straight, shielded

Sensor/actuator connector - SACC-MS-8QO-0,5 SH SCO - 1414610

Functional drawing



Classifications

eCl@ss

| | |
|---------------|----------|
| eCl@ss 10.0.1 | 27440102 |
| eCl@ss 4.0 | 27140800 |
| eCl@ss 4.1 | 27140800 |
| eCl@ss 5.0 | 27143400 |
| eCl@ss 5.1 | 27143400 |
| eCl@ss 6.0 | 27279200 |
| eCl@ss 7.0 | 27440104 |
| eCl@ss 8.0 | 27440104 |
| eCl@ss 9.0 | 27440102 |

ETIM

| | |
|----------|----------|
| ETIM 5.0 | EC002062 |
| ETIM 6.0 | EC002062 |

UNSPSC

| | |
|-------------|----------|
| UNSPSC 13.2 | 39121413 |
| UNSPSC 18.0 | 39121413 |
| UNSPSC 19.0 | 39121413 |
| UNSPSC 20.0 | 39121413 |
| UNSPSC 21.0 | 39121413 |

Approvals

Approvals

Sensor/actuator connector - SACC-MS-8QO-0,5 SH SCO - 1414610

Approvals

Approvals

EAC / EAC

Ex Approvals

Approval details

| | | |
|-----|--|---------------|
| EAC | | EAC-Zulassung |
|-----|--|---------------|

| | | |
|-----|--|--------------------------|
| EAC | | RU C- DE.BL08.B.00511 |
|-----|--|--------------------------|

Accessories

Accessories

Electronics pliers

Diagonal cutter - MICROFOX-SP-1 - 1212487



Electronic diagonal cutter, tapered head, without chamfer, with opening spring, non-reflective phosphate-treated surface, punched version

Protective cap

Sealing cap - PROT-M12 FS-PA-CHAIN - 1430873

M12 sealing cap made of plastic with fixing band, for sensor cables, for free M12 plugs



Screwdriver tools

Sensor/actuator connector - SACC-MS-8QO-0,5 SH SCO - 1414610

Accessories

Tool - SACC BIT M12-D20 - 1208445



Nut for assembling M12 connectors for assembly with a knurl diameter of 20 mm, for 4 mm hexagonal drive

Adapter insert - TSD-M SAC-BIT ADAPTER - 1212600



Adapter bit for TSD-M...torque tools, E6.3-1/4" drive with 4 mm hexagon to accommodate SAC bits

Stripping tool

Stripping tool - WIREFOX-D 40 - 1212161



Stripping tool, for stripping cables of 4.5 mm - 40 mm-Ø, insulation thickness of up to 4.5 mm, pivoting blade for round, lengthwise, and spiral cuts

Torque tool

Torque screwdriver - TSD 04 SAC - 1208429



Torque screwdriver, with preset torque of 0.4 Nm and 4 mm hexagonal drive for M12 connectors

Torque screwdriver - TSD-M 1,2NM - 1212224



Torque screw driver, accuracy as per EN ISO 6789 standard, adjustable from 0.3 - 1.2 Nm

Sensor/actuator connector - SACC-MS-8QO-0,5 SH SCO - 1414610

Accessories

Shielding foil - VS-08-RJ45-FOLIEN-SET - 1417184

Shielding foil set, 25 pieces, replacement for RJ45 and M12 Quickon connector



Stripping tool - VS-CABLE-STRIP-VARIO - 1657407

Stripping tool, for the multi-level stripping of shielded cables

