

## Connector - SACC-M 8MR-4CON-M-SW - 1407585

Please be informed that the data shown in this PDF Document is generated from our Online Catalog. Please find the complete data in the user's documentation. Our General Terms of Use for Downloads are valid (<http://phoenixcontact.com/download>)




Connector, Universal, 4-position, Plug angled M8, Coding: A, Screw connection, knurl material: Nickel-plated brass, external cable diameter 3.5 mm ... 5 mm

### Your advantages

- ✓ Safe use in the field, thanks to a high degree of protection
- ✓ Flexible: connectors for on-site assembly
- ✓ Screw connection: proven connection technology for a large selection of different conductors

RoHS

### Key Commercial Data

|                                      |   |
|--------------------------------------|---|
| Packing unit                         | 1 pc  |
| GTIN                                 | <br>4 046356 780056 |
| GTIN                                 | 4046356780056   |
| Weight per Piece (excluding packing) | 13.790 g  |
| Weight per piece (including packing) | 13.790 g  |
| Custom tariff number                 | 85366990  |
| Country of origin                    | Germany   |

### Technical data

#### Dimensions

|   |                 |
|---|-----------------|
| Diameter housing                        | 13 mm           |
| Length                                  | 46 mm           |
| External cable diameter                 | 3.5 mm ... 5 mm |
| Stripping length of the sheath          | 12 mm           |
| Stripping length of the individual wire | 4 mm            |

#### Ambient conditions

|                                 |                                  |
|---------------------------------|----------------------------------|
| Ambient temperature (operation) | -40 °C ... 85 °C (Plug / socket) |
| Degree of protection            | IP67                             |

# Connector - SACC-M 8MR-4CON-M-SW - 1407585

## Technical data

### General

|                             |   |
|-----------------------------|---|
| Note                        | NOTE: Observe the permissible bending radii when laying conductors, since the degree of protection may be put in jeopardy if the bending forces are too high. Alleviate mechanical loads upstream of the connector, e.g. by using cable ties. |
| Rated current at 40°C       | 4 A   |
| Rated voltage               | 30 V AC   |
|                             | 30 V DC   |
| Number of positions         | 4   |
| Insulation resistance       | ≥ 100 MΩ  |
| Coding                      | A - standard  |
| Standards/regulations       | M8 connector IEC 61076-2-104  |
| Signal type/category        | Universal   |
| Status display              | No  |
| Overvoltage category        | III   |
| Degree of pollution         | 3   |
| Connection method           | Screw connection  |
| Conductor cross section     | 0.14 mm <sup>2</sup> ... 0.5 mm <sup>2</sup> (without ferrule)  |
|                             | 0.14 mm <sup>2</sup> ... 0.5 mm <sup>2</sup> (with ferrule)   |
|                             | 0.14 mm <sup>2</sup> ... 0.5 mm <sup>2</sup> (solid)  |
| Conductor cross section AWG | 26 ... 20 (without ferrule)   |
| Insertion/withdrawal cycles | ≥ 100   |
| Torque                      | 0.2 Nm (M8 knurl)   |
|                             | 0.5 Nm (Connector with coupling sleeve)   |
|                             | 0.3 Nm ... 0.4 Nm (Pressure screw for outer cable diameter 3 mm ... 4 mm)   |
|                             | 0.8 Nm ... 1 Nm (Pressure screw in the case of external cable diameter 4 mm ... 5 mm)   |
|                             | 0.1 Nm (Screw terminal blocks)  |
| Assembly instructions       | The wires can be connected both with ferrules (without insulation) and without ferrules.  |
|                             | The connector pin assignment can be rotated 180° to the cable outlet  |

### Material

|  |                     |
|--|---------------------|
| Flammability rating according to UL 94 | HB                  |
| Contact material                       | CuZn                |
| Contact surface material               | Au                  |
| Contact carrier material               | PA                  |
| Material of grip body                  | PBT                 |
| Material, knurls                       | Nickel-plated brass |
| Sealing material                       | NBR                 |

### Cable

|                          |                              |
|--------------------------|------------------------------|
| Standards/specifications | M8 connector IEC 61076-2-104 |
|--------------------------|------------------------------|

# Connector - SACC-M 8MR-4CON-M-SW - 1407585

## Technical data

### Standards and Regulations

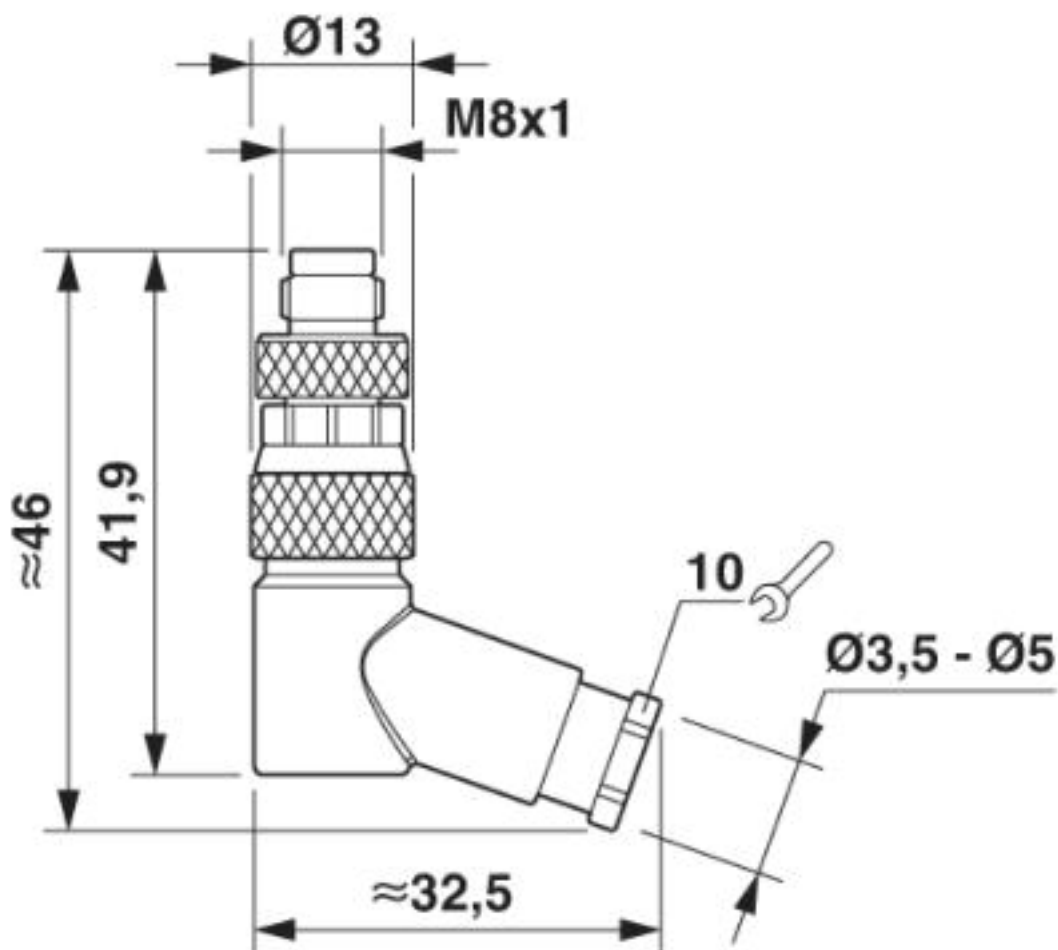
|  |                              |
|--|------------------------------|
| Standards/specifications               | M8 connector IEC 61076-2-104 |
| Flammability rating according to UL 94 | HB                           |

### Environmental Product Compliance

|            |   |
|------------|---|
| REACH SVHC | Lead 7439-92-1  |
| China RoHS | Environmentally Friendly Use Period = 50 years  |
|            | For details about hazardous substances go to tab "Downloads", Category "Manufacturer's declaration" |

## Drawings

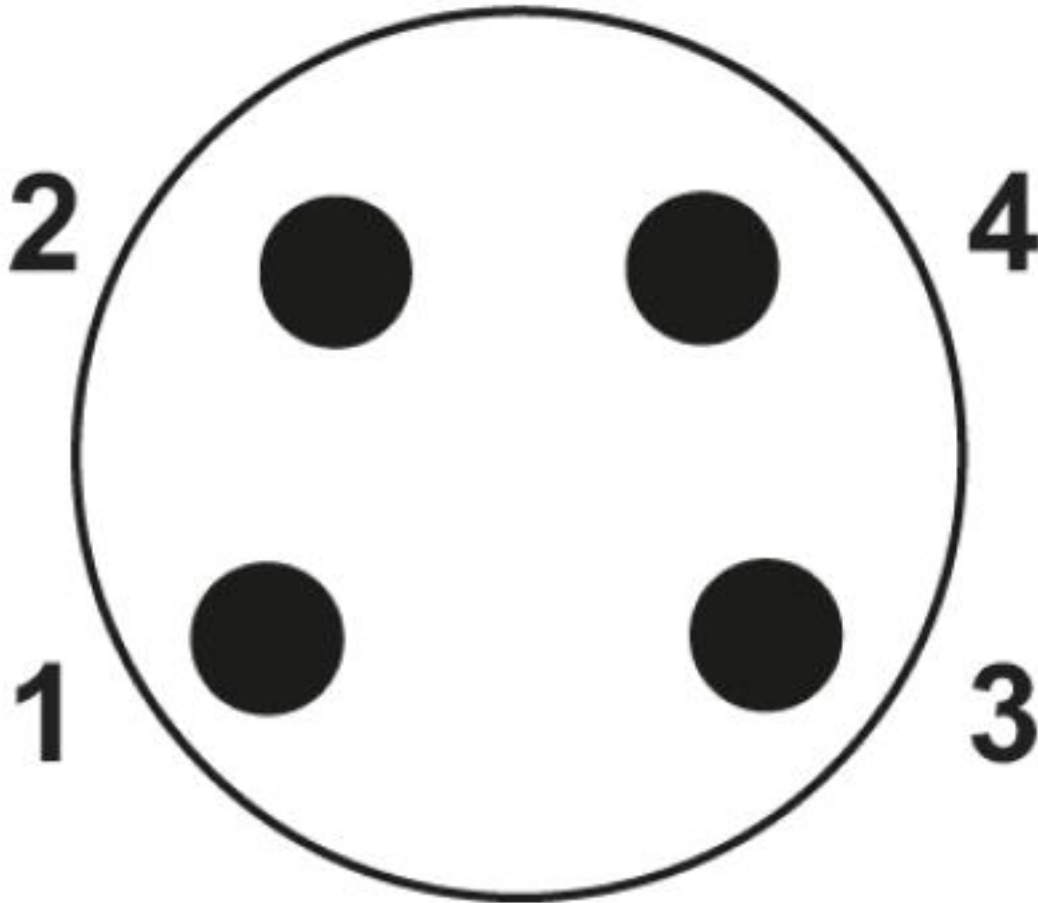
Dimensional drawing



Socket M8 x 1, angled

# Connector - SACC-M 8MR-4CON-M-SW - 1407585

Schematic diagram



Pin assignment M8 plug, 4-pos., view male side

## Classifications

eCl@ss

|               |          |
|---------------|----------|
| eCl@ss 10.0.1 | 27440102 |
| eCl@ss 4.0    | 27260700 |
| eCl@ss 4.1    | 27260700 |
| eCl@ss 5.0    | 27260700 |
| eCl@ss 5.1    | 27260700 |
| eCl@ss 6.0    | 27279200 |
| eCl@ss 7.0    | 27440104 |
| eCl@ss 8.0    | 27440104 |
| eCl@ss 9.0    | 27440102 |

ETIM

|          |          |
|----------|----------|
| ETIM 3.0 | EC002062 |
|----------|----------|

# Connector - SACC-M 8MR-4CON-M-SW - 1407585

## Classifications

### ETIM

|          |          |
|----------|----------|
| ETIM 4.0 | EC002062 |
| ETIM 5.0 | EC002062 |
| ETIM 6.0 | EC002062 |

### UNSPSC

|               |          |
|---------------|----------|
| UNSPSC 6.01   | 31251501 |
| UNSPSC 7.0901 | 31251501 |
| UNSPSC 11     | 31251501 |
| UNSPSC 12.01  | 31251501 |
| UNSPSC 13.2   | 39121413 |
| UNSPSC 18.0   | 39121413 |
| UNSPSC 19.0   | 39121413 |
| UNSPSC 20.0   | 39121413 |
| UNSPSC 21.0   | 39121413 |

## Approvals


### Approvals


#### Approvals

UL Listed / cUL Listed / cULus Listed

#### Ex Approvals

### Approval details

|                    |   |   |               |
|--------------------|---|---|---------------|
| UL Listed          |  | <a href="http://database.ul.com/cgi-bin/XYV/template/LISEXT/1FRAME/index.htm">http://database.ul.com/cgi-bin/XYV/template/LISEXT/1FRAME/index.htm</a> | FILE E 221474 |
|                    |   |   |               |
| Nominal voltage UN | 30 V  |   |               |
| Nominal current IN | 4 A   |   |               |

|                    |   |   |               |
|--------------------|---|---|---------------|
| cUL Listed         |  | <a href="http://database.ul.com/cgi-bin/XYV/template/LISEXT/1FRAME/index.htm">http://database.ul.com/cgi-bin/XYV/template/LISEXT/1FRAME/index.htm</a> | FILE E 221474 |
|                    |   |   |               |
| Nominal voltage UN | 30 V  |   |               |
| Nominal current IN | 4 A   |   |               |

# Connector - SACC-M 8MR-4CON-M-SW - 1407585

## Approvals

cULus Listed



## Accessories

### Accessories

#### Cable by the meter

Cable reel - SAC-4P-100,0-PUR/0,25 - 1501692



Cable ring, PUR halogen-free black, 4-pos., conductor colors: brown / white / blue / black, cable length: 100 m

Cable reel - SAC-4P-100,0-PUR/0,34 - 1501663



Cable ring, PUR halogen-free black, 4-pos., conductor colors: brown / white / blue / black, cable length: 100 m

## Protective cap

Sealing cap - PROT-M 8 FS-PA-CHAIN - 1430857

M8 sealing cap made of plastic with fixing band for sensor cables, for M8 plugs



## Screwdriver tools

Tool - SACC BIT M8-D12 - 1208474



Nut for assembling M8 connectors with longitudinal knurl and a knurl diameter of 12 mm, for 4 mm hexagonal drive

## Connector - SACC-M 8MR-4CON-M-SW - 1407585

### Accessories

Adapter insert - TSD-M SAC-BIT ADAPTER - 1212600



Adapter bit for TSD-M...torque tools, E6.3-1/4" drive with 4 mm hexagon to accommodate SAC bits

---

### Torque tool

Torque screwdriver - TSD 02 SAC - 1208487



Torque screwdriver, with preset torque of 0.2 Nm and 4 mm hexagonal drive for M8 connectors

---

Torque screwdriver - TSD-M 1,2NM - 1212224



Torque screw driver, accuracy as per EN ISO 6789 standard, adjustable from 0.3 - 1.2 Nm