

Screwdriver - SZK PH1 VDE - 1205150

Please be informed that the data shown in this PDF Document is generated from our Online Catalog. Please find the complete data in the user's documentation. Our General Terms of Use for Downloads are valid (<http://phoenixcontact.com/download>)



Screwdriver, PH crosshead, VDE insulated, size: PH 1 x 80 mm, 2-component grip, with non-slip grip

Your advantages

- VDE approval
- Screwdrivers for Phillips screws with Pozidriv and Phillips Recess screw head

Key Commercial Data

Packing unit	10 pc
GTIN	 4 017918 019167
GTIN	4017918019167
Weight per Piece (excluding packing)	62.380 g
Weight per piece (including packing)	62.410 g
Custom tariff number	82054000
Country of origin	Czech Republic

Technical data

Dimensions

Length (b)	178 mm
Width (a)	33 mm
Blade width	4.5 mm
Blade height	80 mm
Wrench size	0 mm

General

Type	Phillips
	1
Material	alloyed tool steel
Test standard	DIN/ISO 8764-1 PH
Weight	60 g

Standards and Regulations

Test standard	DIN/ISO 8764-1 PH
---------------	-------------------

Screwdriver - SZK PH1 VDE - 1205150

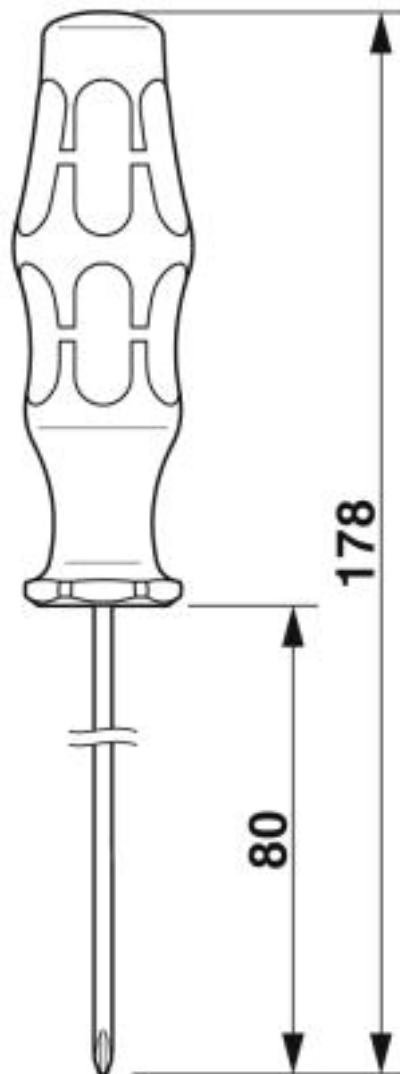
Technical data

Environmental Product Compliance

California Proposition 65	Further information on California's prop. 65 is available under "Downloads" in the manufacturer's declaration
---------------------------	---

Drawings

Dimensional drawing



Screwdriver - SZK PH1 VDE - 1205150

Pictogram



Classifications

eCl@ss

eCl@ss 10.0.1	21040406
eCl@ss 4.0	21040400
eCl@ss 4.1	21040400
eCl@ss 5.0	21040400
eCl@ss 5.1	21040400
eCl@ss 6.0	21040400
eCl@ss 7.0	21040406
eCl@ss 8.0	21040406
eCl@ss 9.0	21040406

Screwdriver - SZK PH1 VDE - 1205150

Classifications

ETIM

ETIM 2.0	EC000158
ETIM 3.0	EC000158
ETIM 4.0	EC000144
ETIM 5.0	EC000144
ETIM 6.0	EC000144
ETIM 7.0	EC000144

UNSPSC

UNSPSC 6.01	27111701
UNSPSC 7.0901	27111701
UNSPSC 11	27111701
UNSPSC 12.01	27111701
UNSPSC 13.2	27111701

Approvals

Approvals

Approvals

VDE Zeichengenehmigung / EAC

Ex Approvals

Approval details

VDE Zeichengenehmigung		http://www2.vde.com/de/Institut/Online-Service/VDE-gepruefteProdukte/Seiten/Online-Suche.aspx	086858
------------------------	--	---	--------

EAC		RU x- DE.xx08.B.02974
-----	--	--------------------------
